



Parts Catalog

E28/30/33 Walk-Behind Scrubber

PREFACE

Thank you for your purchase of the new industry standard for scrubber/sweepers. Minuteman International[®] takes great pride in offering the most dependable, reliable and best value in industrial power scrubbers and sweepers. We set the standard.

Our Customer Service Department would like to hear from you. If you see any errors, omissions or something that needs clarification in this Parts Catalog please let us know. We are working hard towards continually improving our processes to bring you the best you deserve. Please copy the form below, fill out and comment on how you found our catalog.

Thank you!
The Minuteman International Team

Name: _____

Title: _____

Company Name: _____

Address: _____

Country: _____

Type of equipment or model number: _____

Comments: _____

Please return to:
Customer Service Manager
Minuteman International, Inc.
14N845 U.S. Route 20
Pingree Grove, Illinois 60140 USA

Phone: (800) 323-9420
Email: tech@minutemanintl.com

TECHNICAL SPECIFICATIONS

Model: E28/30/33 Walk-Behind Scrubbers
Model No.: E2830QP, E2830QPG, E3030QP, E3030QPCE, E3030QPG,
E3330QP, E3330QPCE, E3330QPG

This is the Parts Catalog for the Minuteman International® E28/30/33 Walk-Behind Scrubber machines.

This catalog covers all Standard E26 machine variations.

We believe this machine will provide excellent service for many years. Best results will be obtained if:

- The machine is operated with reasonable care.
- The machine is maintained regularly per the maintenance schedule provided in the User Manual.
- The machine is maintained with Minuteman International® supplied or equivalent parts.

All information contained in this catalog is current at the time of printing.
Minuteman International, Inc. reserves the right to make changes at any time without notice.

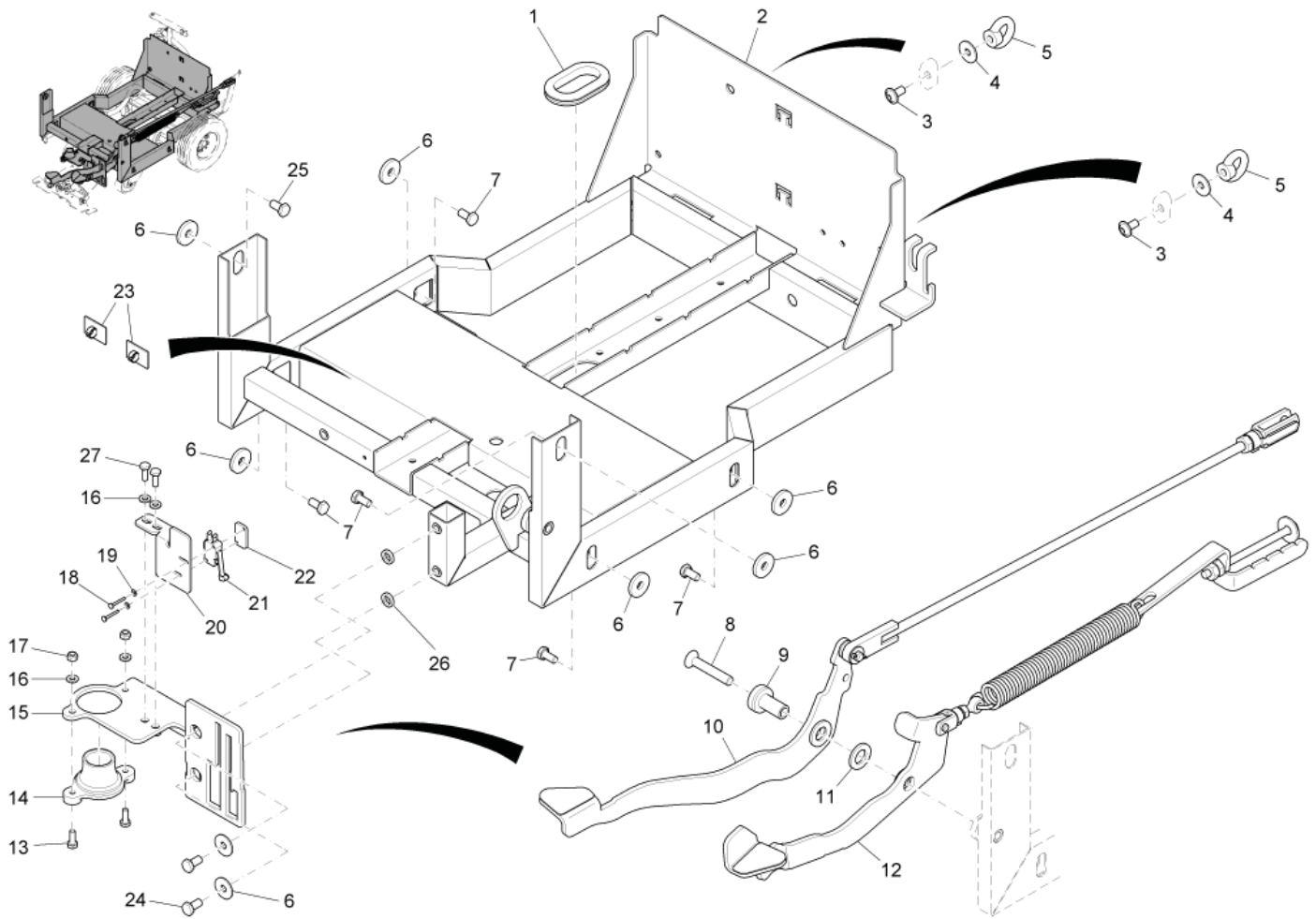
Minuteman International, Inc., Copyright 2014-2015, Printed in USA

TABLE OF CONTENTS

PREFACE	2
TECHNICAL SPECIFICATIONS	3
PARTS BREAKDOWN	6
CHASSIS ASSEMBLY I	6
CHASSIS - LIFT PEDAL	8
CHASSIS - BRUSH PRESSURE ADJUSTMENT	9
CHASSIS ASSEMBLY II	10
TRACTION DRIVE	12
CHASSIS ASSEMBLY III	14
CHASSIS - WATER SUPPLY	16
CHASSIS - WATER SUPPLY	17
CHASSIS - SQUEEGEE CONNECTION I	18
CHASSIS - SQUEEGEE CONNECTION II	20
BATTERIES AND BATTERY TRAY	21
SOLUTION TANK ASSEMBLY	22
RECOVERY TANK ASSEMBLY	24
LIFTING DEVICE	26
SUCTION	28
SQUEEGEE OPERATION	30
SQUEEGEE LOCK	31
SQUEEGEE ASSEMBLY	32
SQUEEGEE SUB-ASSEMBLY	34
HANDLE ASSEMBLY	36
CONSOLE ASSEMBLY	37
ELECTRIC ASSEMBLY I	38
CONTROL BOARD ASSEMBLY	40
ELECTRIC ASSEMBLY II	42
BATTERY CHARGER	44
DECALS	46
30" DISK BRUSH DECK ASSEMBLY I	48
30" DISK BRUSH DECK ASSEMBLY II	50
30" DISK BRUSH DECK ASSEMBLY III	52

33" DISK BRUSH DECK ASSEMBLY I54
33" DISK BRUSH DECK ASSEMBLY II56
33" DISK BRUSH DECK ASSEMBLY III58
28" CYLINDRICAL BRUSH DECK ASSEMBLY I60
 DIRT CONTAINER62
28" CYLINDRICAL BRUSH DECK ASSEMBLY II64
 CARRIER ASSEMBLY66
28" CYLINDRICAL BRUSH DECK ASSEMBLY III68

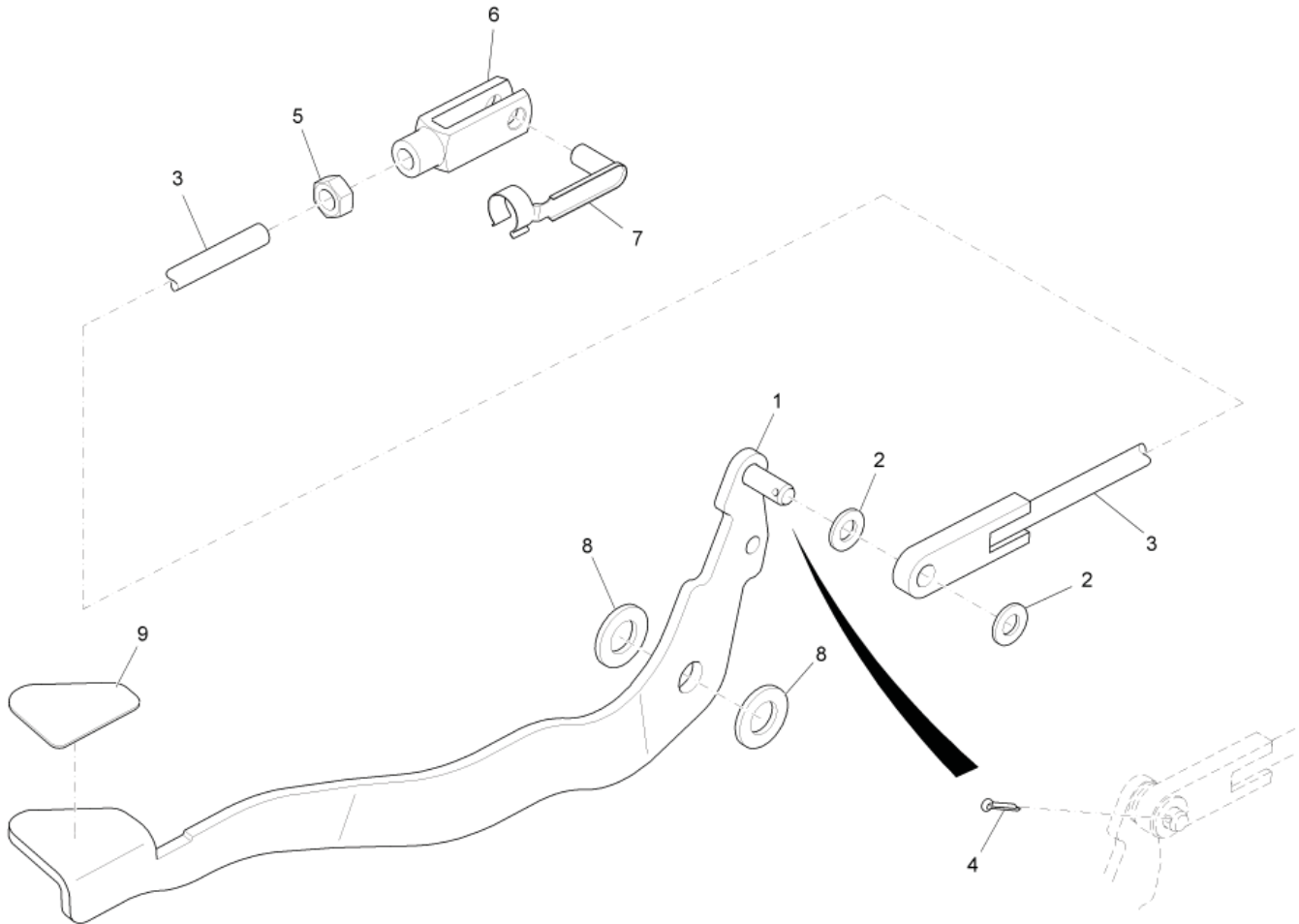
PARTS BREAKDOWN
CHASSIS ASSEMBLY I



CHASSIS ASSEMBLY I BOM

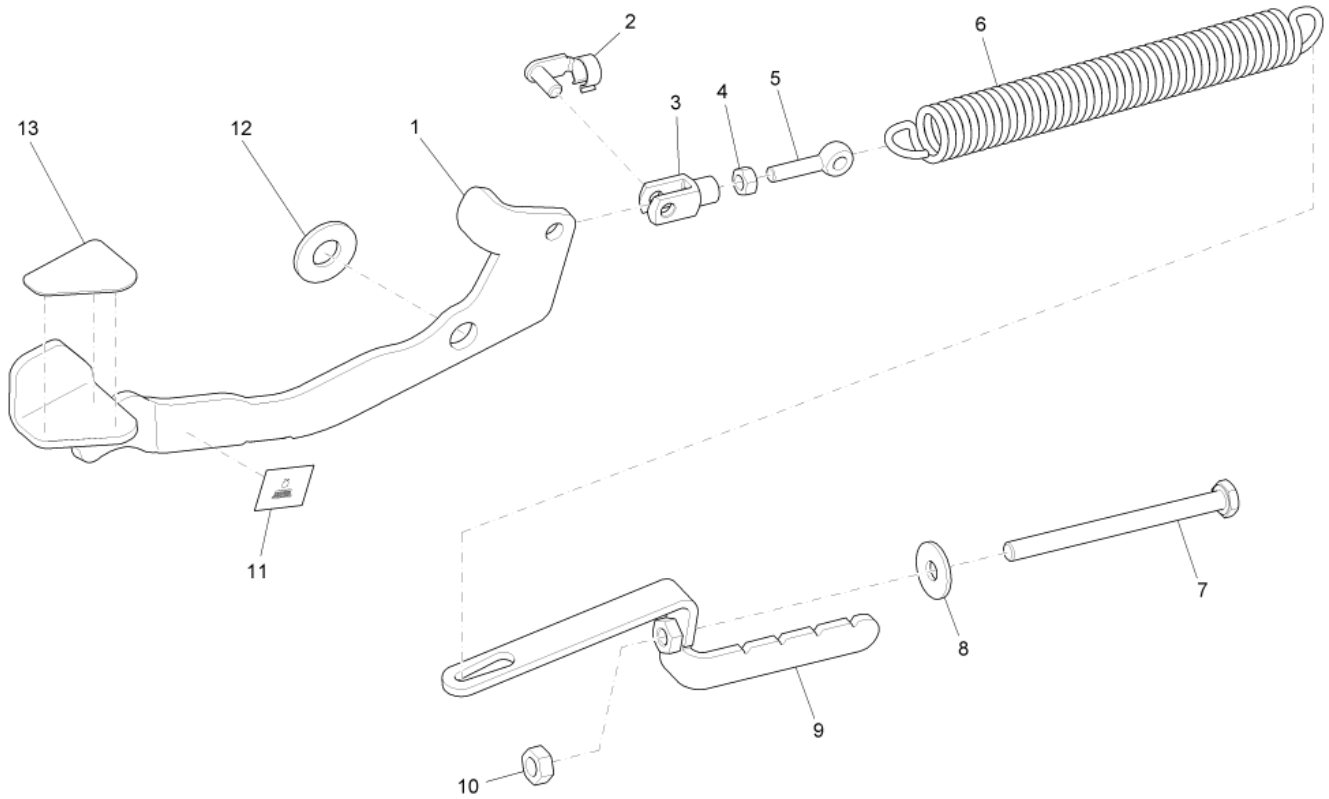
Parts List			
ITEM	PART #	QTY	DESCRIPTION
1	90513367	1	GROMMET
2	96116405	1	CHASSIS WELDMENT, PAINTED
3	11177128	2	SC-BHCS W/ FLANGE M8 X 1.25 X 16 STL ZD
4	12332029	4	WSR-FLT M8.4 X 24 X 2 STL 140HV ZD DIN 9
5	12160024	2	NUT-EYE M8 X 1.25 STL ZINC C15 DIN 582
6	12515086	10	WSR-CONICAL SPR W/TOOTH M9.2 X 26 X 2 S
7	11038197	8	BLT-HH M8 X 1.25 X 16 STL ZD 8.8 DIN 933
8	11225620	1	SCR-FHCS M10 X 1.5 X 60 FULL THRD ZP
9	90509522	1	BUSHING, PEDAL PIVOT
10	97093181	1	LIFTING PEDAL
11	12310082	1	WSR-FLT M17 X 30 X 3 STL 140HV ZDDIN125A
12	97093272	1	BRUSH PRESSION ADJUSTMENT
13	11038098	2	SCR-HH M6-1.0 X 20 ZP CLASS 8.8 DIN
14	90508391	1	BUSHING, CABLE GUIDE, HAKO
15	96117387	1	PEDAL LOCKING BRACKET
16	12310033	4	WASHER-FLAT M6.4 X 12 X 1.6 ZP
17	12040044	2	NUT-NYLOC M6 X 1.0 ZP CLASS 6
18	11039088	2	BLT-HH M3 X 0.5 X 20 8.8 ZP DIN 933
19	12310132	2	WSR-FLT M3.2 X 7 X 0.5 STL 140HV ZD DIN
20	90540931	1	BRACKET, SWITCH MOUNT
21	90636234	1	MICRO SWITCH
22	90471483	1	PLATE, THREADED SWITCH MOUNT SS
23	17526070	2	CABLE CLIP, .25 ID HOLE MOUNT-0.275
24	11038247	2	SCR-HH M8-1.25 X 25 ZP CLASS 8.8
25	718010	1	SCR-HH M8-1.25 X 18 SS
26	90525692	2	SPACER BUSHING 16mm OD,10mm ID,3.2mm THK
27	11038072	2	SCR-HH M6-1.0 X 16 ZP CLASS 8.8

CHASSIS - LIFT PEDAL



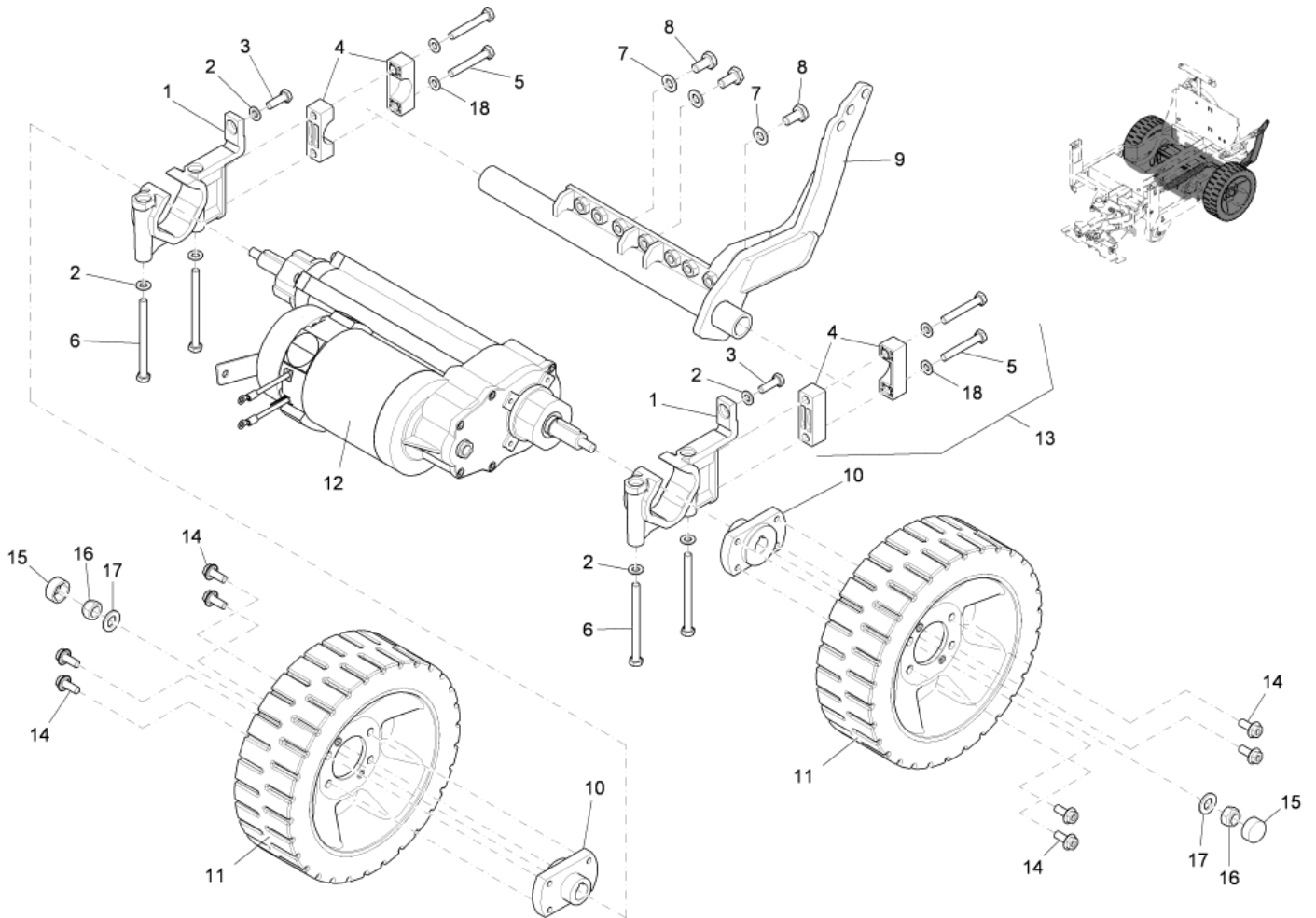
Parts List			
ITEM	PART #	QTY	DESCRIPTION
1	96117361	1	LIFTING PEDAL, COMPLETE
2	12310058	2	WASHER-FLAT M10.5 X 20 X 2 ZP
3	96111877	1	ROD WELDMENT, DECK LIFT LINKAGE
4	13280110	1	PIN-COTTER M3.2 X 16 STL ZD ISO 1234
5	12022067	1	NUT-HEX M10 X 1.5 ZD CLASS 8
6	16055063	1	CLEVIS YOKE M10 X 40 STL ZD DIN 71752
7	13390042	1	ES-BOLT-10X40-ESN 01 A2G
8	90510017	2	WASHER, RUBBER 16.5 X 30 X 3
9	90518580	1	DECAL, PEDAL ANTI-SLIP

CHASSIS - BRUSH PRESSURE ADJUSTMENT



Parts List			
ITEM	PART #	QTY	DESCRIPTION
1	96121231	1	PEDAL
2	13390059	1	S-BOLT 8X16
3	16055089	1	CLEVIS YOKE
4	12022059	1	NUT-HEX M8 X 1.25 STL ZD CL8 DIN 934
5	11518180	1	BLT-EYE M8 X 1.25 X 40 STL ZINC 4.6 DIN
6	90504242	1	TENSION SPRING
7	11039716	1	BLT-HH M10 X 1.5 X 130 FULL THD STL ZD
8	12332037	1	WSR-FLT M10.5 X 30 X 2.5 STL 140HV ZD DI
9	96111505	1	BRACKET, PRESSURE ADJUST
10	12022067	1	NUT-HEX M10 X 1.5 ZD CLASS 8
11	715017	1	DECAL, BRUSH PRESSURE, B120
12	90510017	1	WASHER, RUBBER 16.5 X 30 X 3
13	90518580	1	DECAL, PEDAL ANTI-SLIP

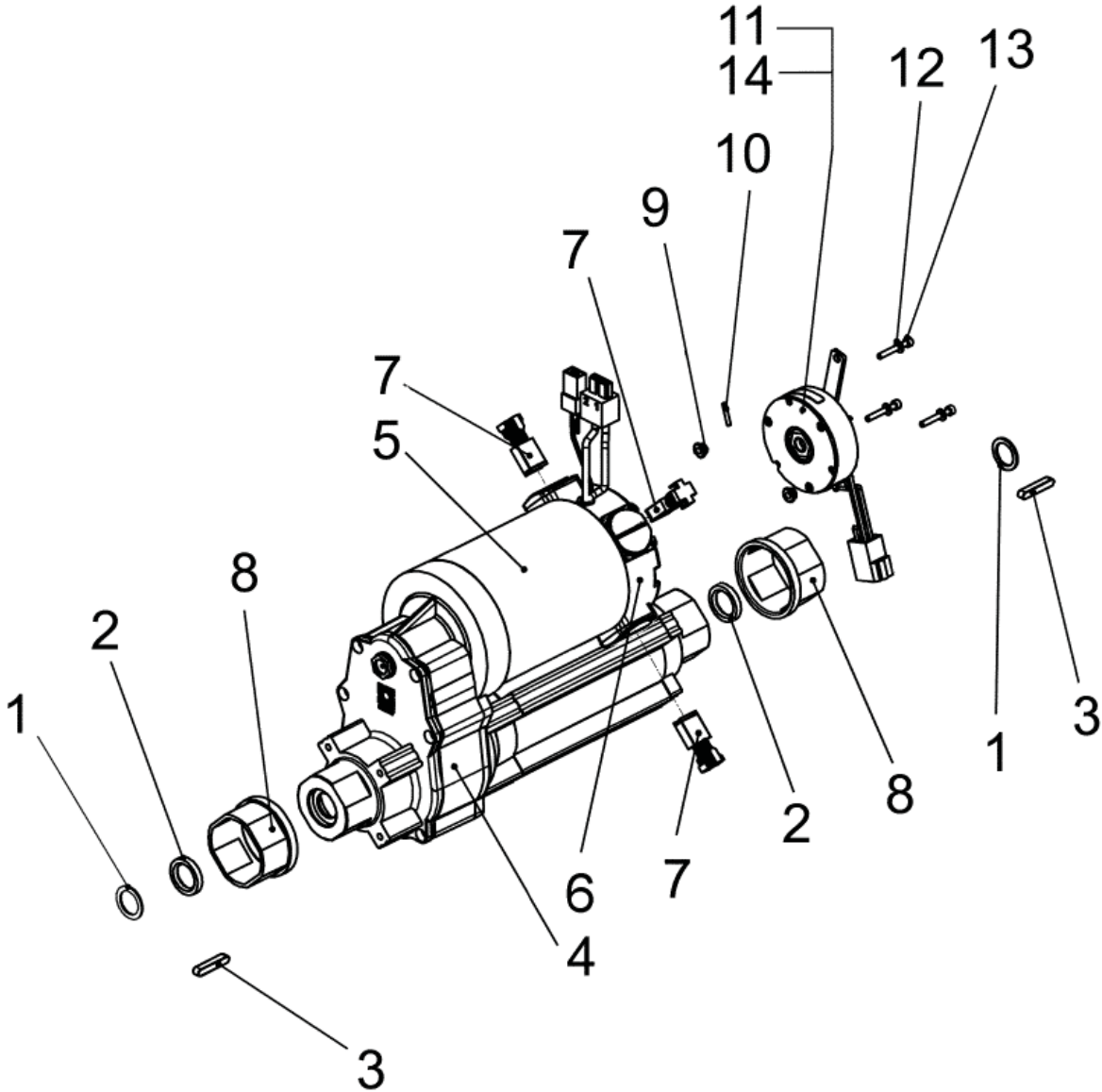
CHASSIS ASSEMBLY II



CHASSIS ASSEMBLY II BOM

Parts List			
ITEM	PART #	QTY	DESCRIPTION
1	90512062	2	TRANSAXLE MOUNTING BRACKET, AMER
2	12310041	10	WASHER-FLAT M8.4 X 16 X 1.6 ZP
3	11038247	1	SCR-HH M8-1.25 X 25 ZP CLASS 8.8
4	90547811	4	BEARING BLOCK, NYLON
5	11038296	4	BLT-HH M8 X 1.25 X 50 STL ZD 8.8 DIN 933
6	11032273	4	BLT-HH M8 X 1.25 X 100 STLZD 8.8 DIN 931
7	12310058	3	WASHER-FLAT M10.5 X 20 X 2 ZP
8	11038346	3	SCR-HH M10-1.5 X 25 ZD CLASS 8.8
9	96119003	1	LEVER WELDMENT
10	90543000PTD	2	WHEEL HUB, PAINTED
11	96118849	2	WHEEL, 250X79, SOLID URETHANE YELLOW
12	90539750	1	TRACTION DRIVE
13	00008980	1	BLOCK
14	11717203	8	BLT-HH FLG M8X1.25X20 PRECOTE, ZD 10.9
15	15592058	2	PROTECTION CAP
16	12040077	2	NUT-NYLOC M12 X 1.75 ZD CLASS 8
17	12310066	2	WSR-FLT M13 X 24 X 2.5 STL 140HV ZD DIN
18	12332029	4	WSR-FLT M8.4 X 24 X 2 STL 140HV ZD DIN 9

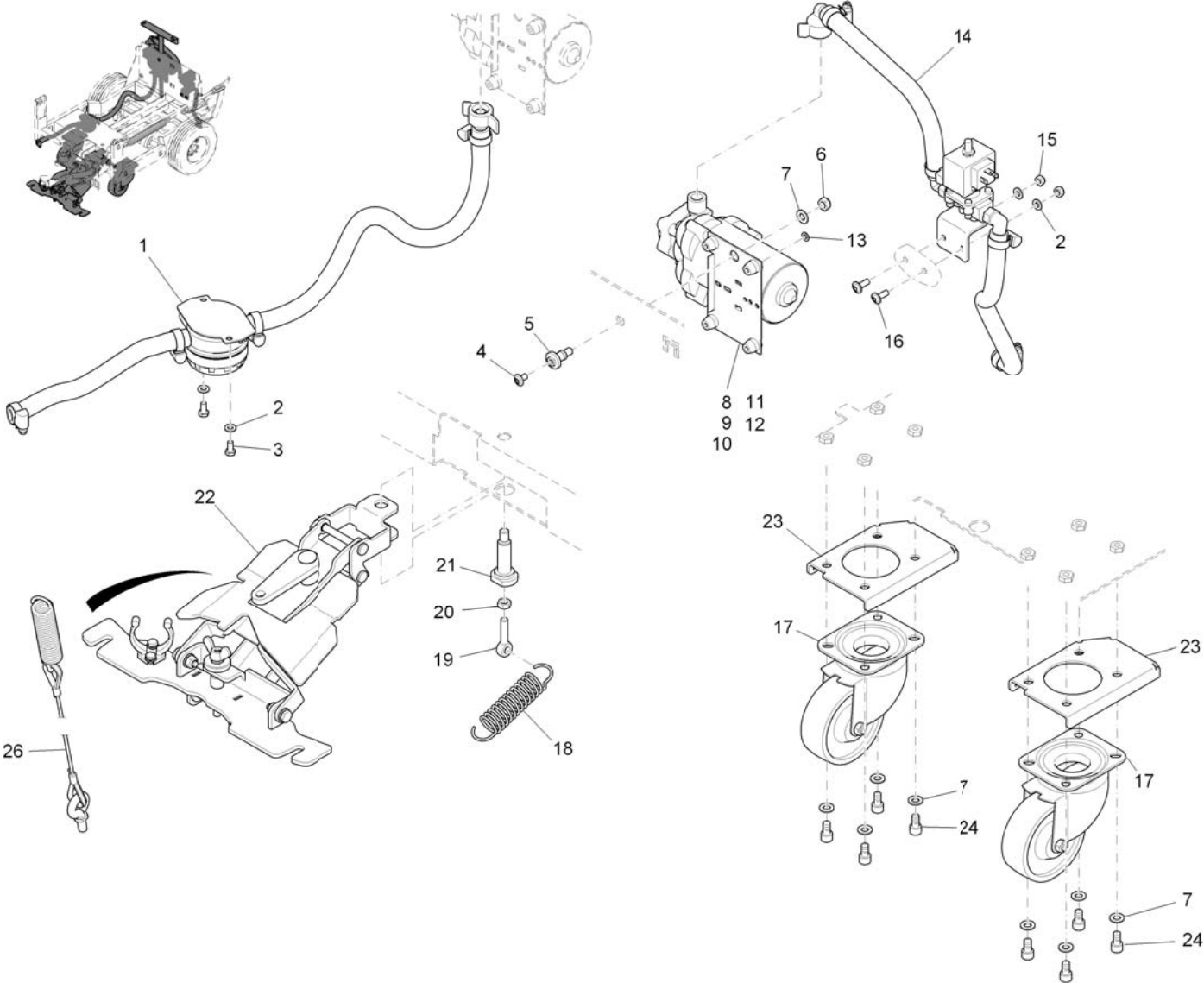
TRACTION DRIVE



TRACTION DRIVEI BOM

Parts List			
ITEM	PART #	QTY	DESCRIPTION
1	01077430	2	WASHER
2	01171670	2	GASKET
3	01077410	2	FITTING KEY
4	01171750	1	GEAR WITH SHAFT - WITHOUT OIL
5	01171740	1	MOTOR
6	01171680	1	END CAP
7	01171690	4	CARBON BRUSH - SOLD INDIVIDUALLY
8	01077400	2	BUSHING
9	01077380	4	NUT
10	01171700	1	SPRING PIN
11	01171710	1	PARKING BRAKE
12	01171720	3	WASHER
13	01171730	3	SCREW
14	01173050	1	MICRO SWITCH

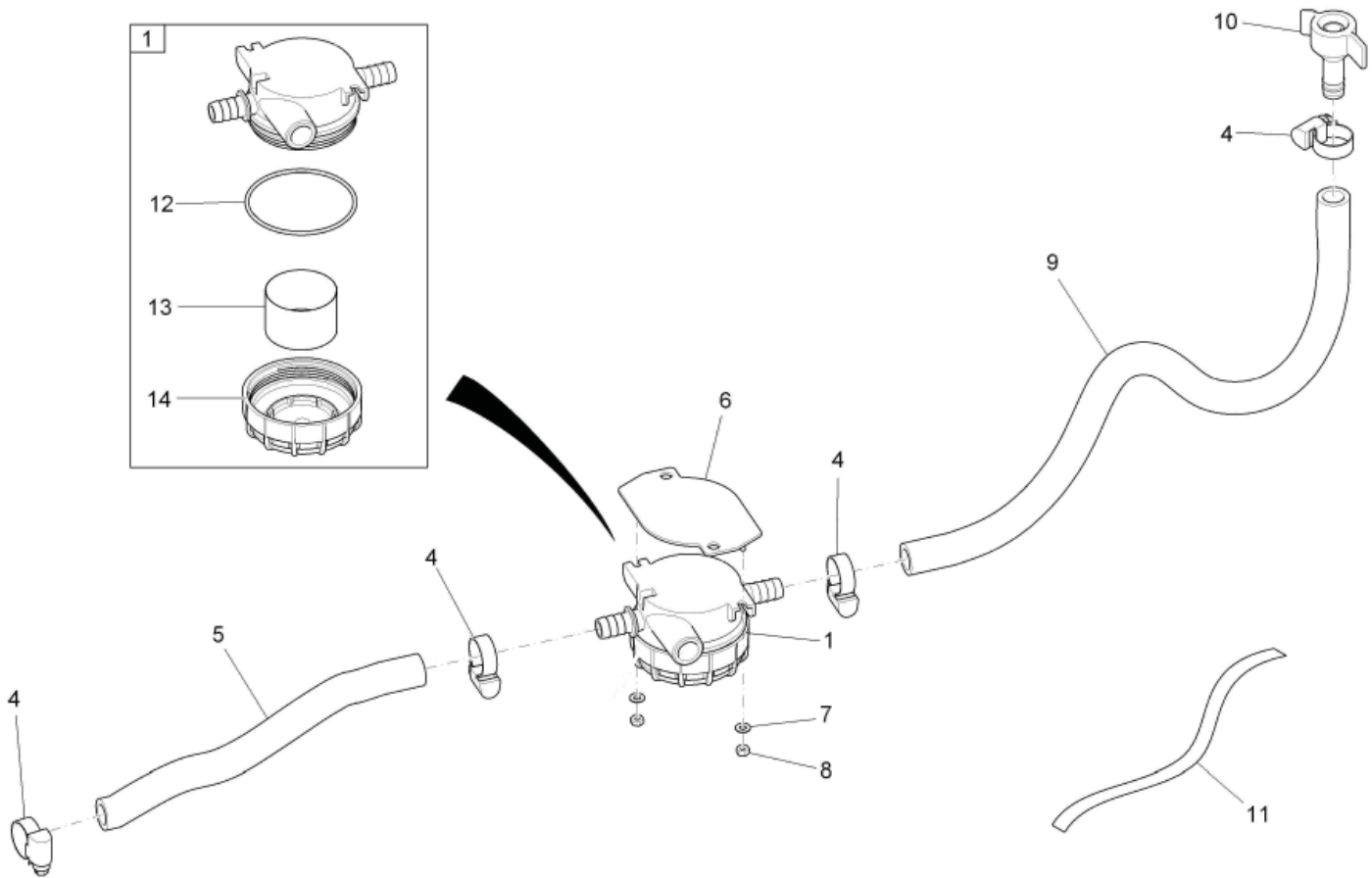
CHASSIS ASSEMBLY III



CHASSIS ASSEMBLY III BOM

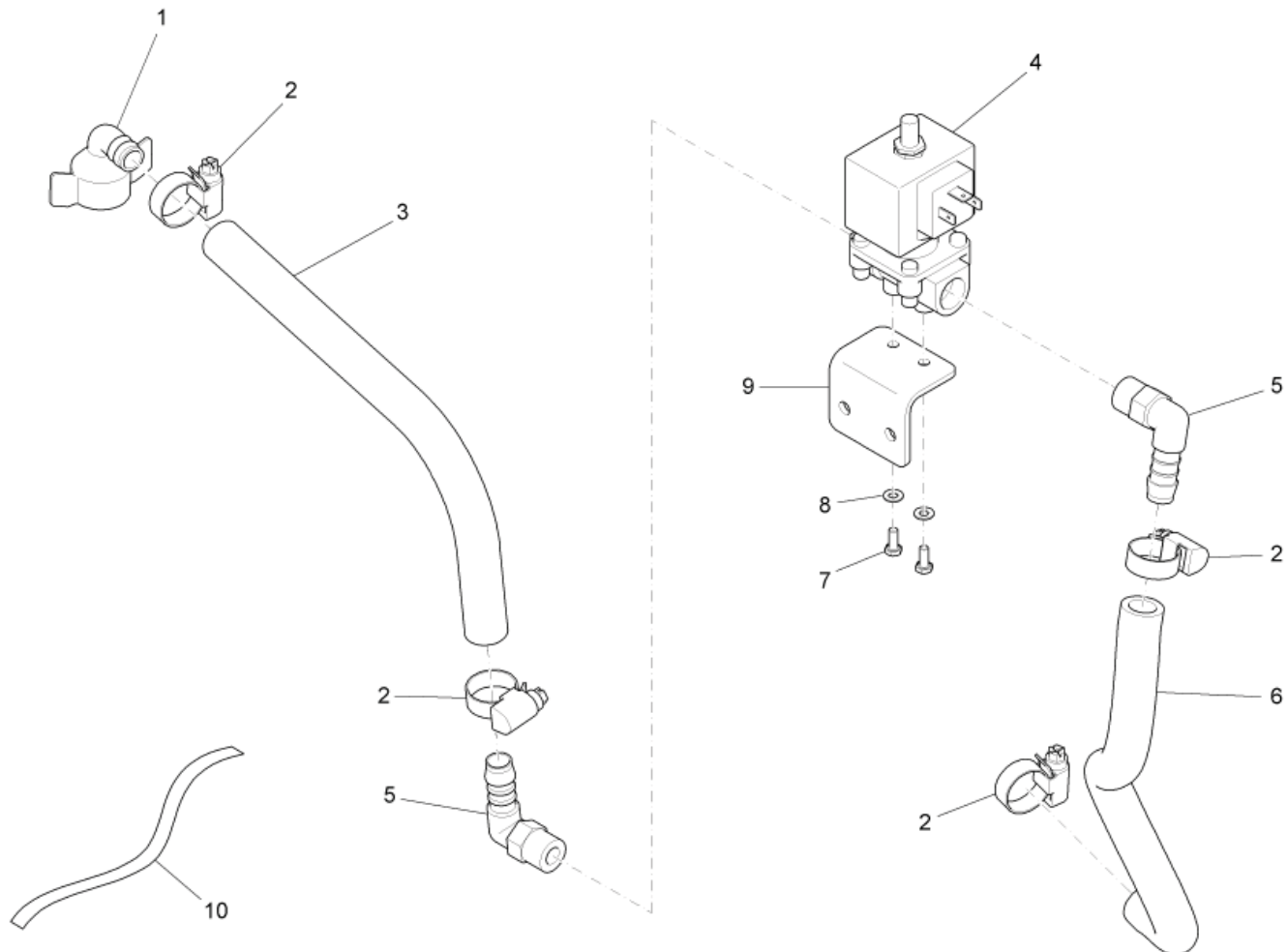
Parts List			
ITEM	PART #	QTY	DESCRIPTION
1	97094981		WATER SUPPLY
2	12310033	4	WASHER-FLAT M6.4 X 12 X 1.6 ZP
3	11038064	2	BLT-HH M6 X 1.0 X 12 STL ZD 8.8 DIN 933
4	11177179	1	SCR-BHCS W/FLANGE M6 X 1.0 X 10 304SS
5	90513243	1	BUSHING
6	12040051	1	NUT-NYLOC M8 X 1.25 ZP CLASS 8
7	12310041	9	WASHER-FLAT M8.4 X 16 X 1.6 ZP
8	90329095	1	PUMP, 24VDC.
9	19725035	1	QC-FEMALE 18G 0.5-1.5 MMQ .250 NON-INS
10	19791029	1	CONNECT-1 POS POSITIVE LOCK MALE- RECEPT
11	19791037	1	CONNECTOR- 1 POS FEMALE- TAB HOUSING
12	19724020	1	QC-MALE 14G (1.5-2.5 MMQ) .250 NON-INS
13	12310025	1	WSR-FLT M5.3 X 10 X 1 STL 140HV ZD DIN 1
14	97094999	1	WATER SUPPLY
15	12040044	2	NUT-NYLOC M6 X 1.0 ZP CLASS 6
16	11177060	2	SCR-BHCS W/ FLANGE M6 X 1.0 X 16 304SS
17	90495037	2	CASTER
18	90523333	1	SPRING, TENSION
19	11518180	1	BLT-EYE M8 X 1.25 X 40 STL ZINC 4.6 DIN
20	12012019	1	NUT-JAM M8 X 1.25 ZP
21	90513573	1	PIVOT
22	97103568	1	SQUEEGEE MECHANISM, E2426
23	90540626	2	SHEET METAL
24	11126067	8	SC-SHCS M8 X1.25 X25 STL ZD 8.8 ISO 4762
26	96115456		LINKAGE

CHASSIS - WATER SUPPLY



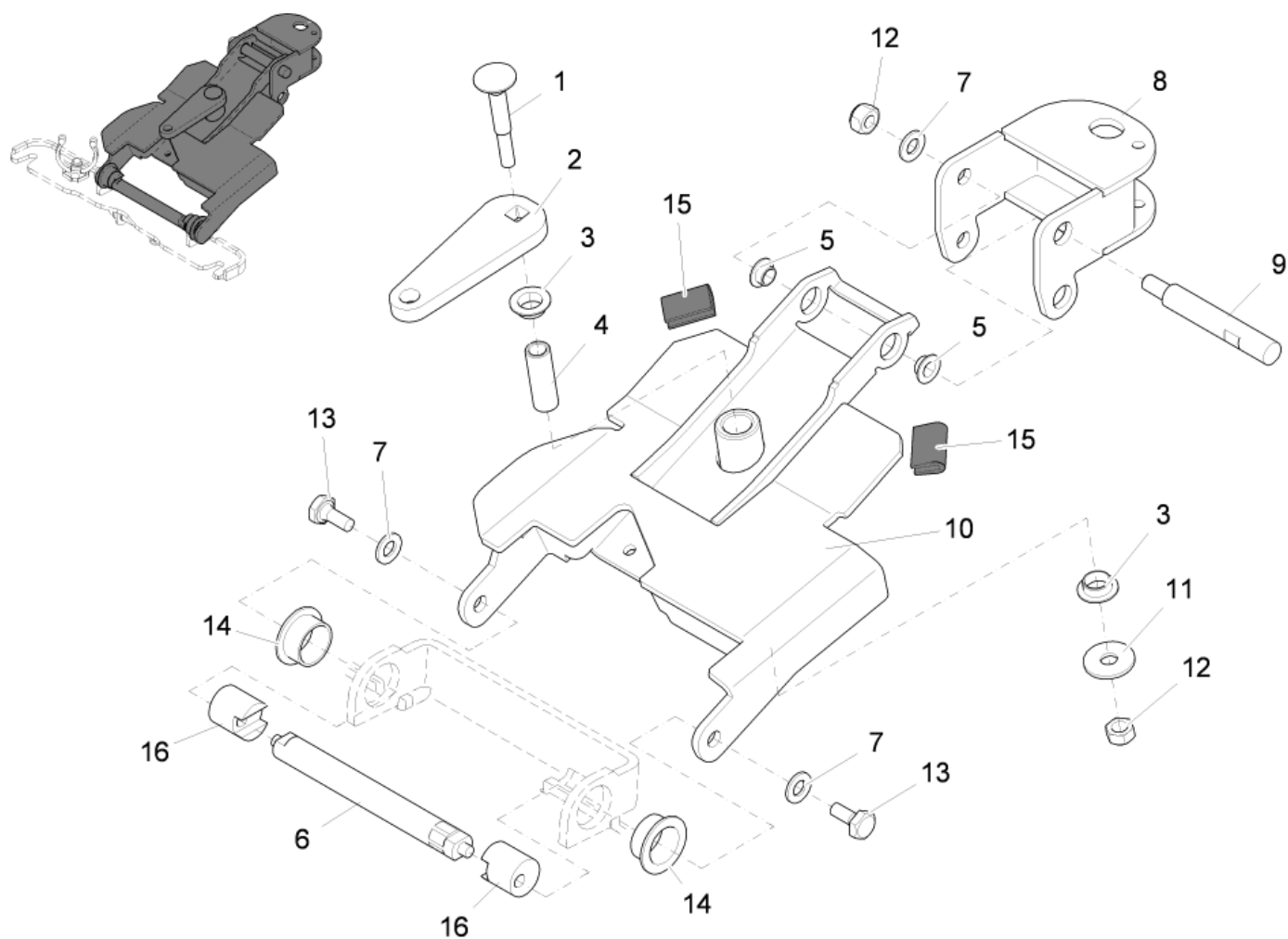
Parts List			
ITEM	PART #	QTY	DESCRIPTION
1	97113377	1	FILTER ASSY, WATER
4	3302144	4	CLAMP - SCREW .5" to 1.06" DIA 201SS
5	25842055	300mm	PVC HOSE
6	96115035	1	BRACKET, WATER FILTER
7	12310017	2	WSR-FLT M4.3 X 9 X 0.8 STL 140HV ZD DIN
8	12040028	2	NUT-NYLOC M4 X 0.7 STL ZD CL6 DIN 985
9	25842055	480mm	PVC HOSE
10	90432071	1	STRAIGHT SCREW CONNECTION
11	829552	1	TAPE-TEFLON PIPE 1/2"
12	15282155	1	O-RING, DIN 3771-62X2, 5-N-NBR 70
13	90542549	1	SCREEN, FILTER
14	90576778	1	COVER, FILTER

CHASSIS - WATER SUPPLY



Parts List			
ITEM	PART #	QTY	DESCRIPTION
1	90330168	1	SCREWED ANGLE FITTING
2	3302144	4	CLAMP - SCREW .5" to 1.06" DIA 201SS
3	25842055	1	PVC HOSE
4	90435595	1	SOLENOID, 24VDC FDM(VITON) DIN43650
5	90174970	2	FTG-ELBOW 90 3/8 MPT X 1/2 HB PP
6	25842055	1	PVC HOSE
7	11038965	2	BLT-HH M4 X 0.7 X 10 STL ZD 8.8 DIN 933
8	12310017	2	WSR-FLT M4.3 X 9 X 0.8 STL 140HV ZD DIN
9	90524885	1	BRACKET, SOLENOID VALVE
10	829552	1	TAPE-TEFLON PIPE 1/2"

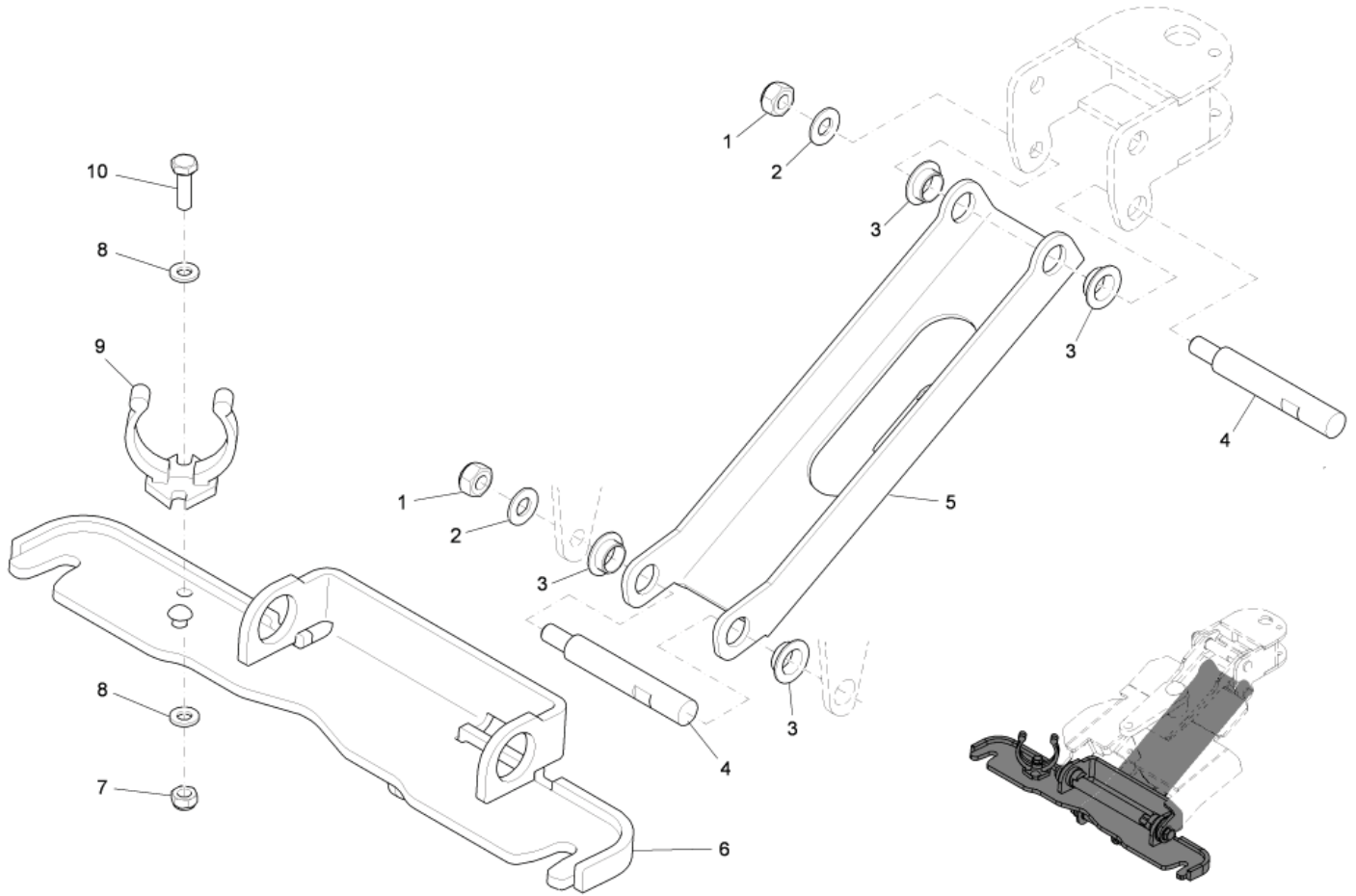
CHASSIS - SQUEEGEE CONNECTION I



CHASSIS - SQUEEGEE CONNECTION I

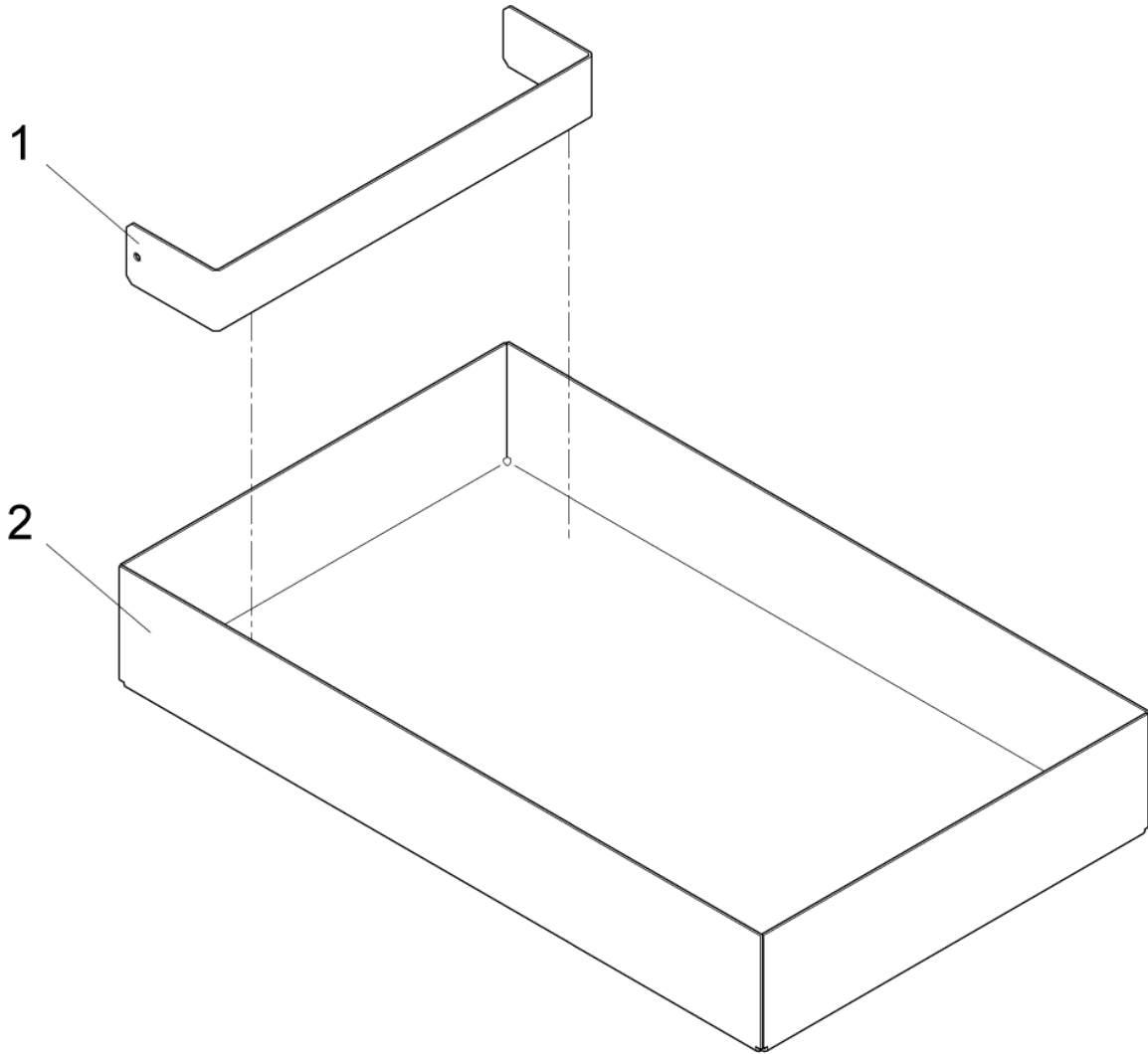
Parts List			
ITEM	PART #	QTY	DESCRIPTION
1	11620564	1	BLT-CAR M8 X 1.25 X 55 STL ZD 8.8 DIN603
2	90521790	1	CABLE ATTACH PIVOT
3	14895478	2	SLIDE BEARING BUSH
4	90547886	1	BUSHING, M12 X 1.8 X 35.5
5	14895197	2	BUSHING-FLG M12 X 14 X 20-7 AMV BV
6	90546847	1	SHAFT
7	730609	3	WASHER-FLAT M8 SS
8	96119938	1	SQUEEGEE MECHANISM MOUNT WELDMENT
9	90547381	1	THREADED PIN
10	96121835-1	1	BRACKET, WELD, PIVOTING SQUEEGEE MTG
11	12332029	1	WASHER
12	12040259	2	HEX NUT
13	11039609	2	HEX BOLT
14	14895361	2	SLIDE BEARING BUSH
15	90532961	60mm	EDGE PROTECTION - SOLD BY THE METER
16	90547399	2	ECCENTRIC CAM

CHASSIS - SQUEEGEE CONNECTION II



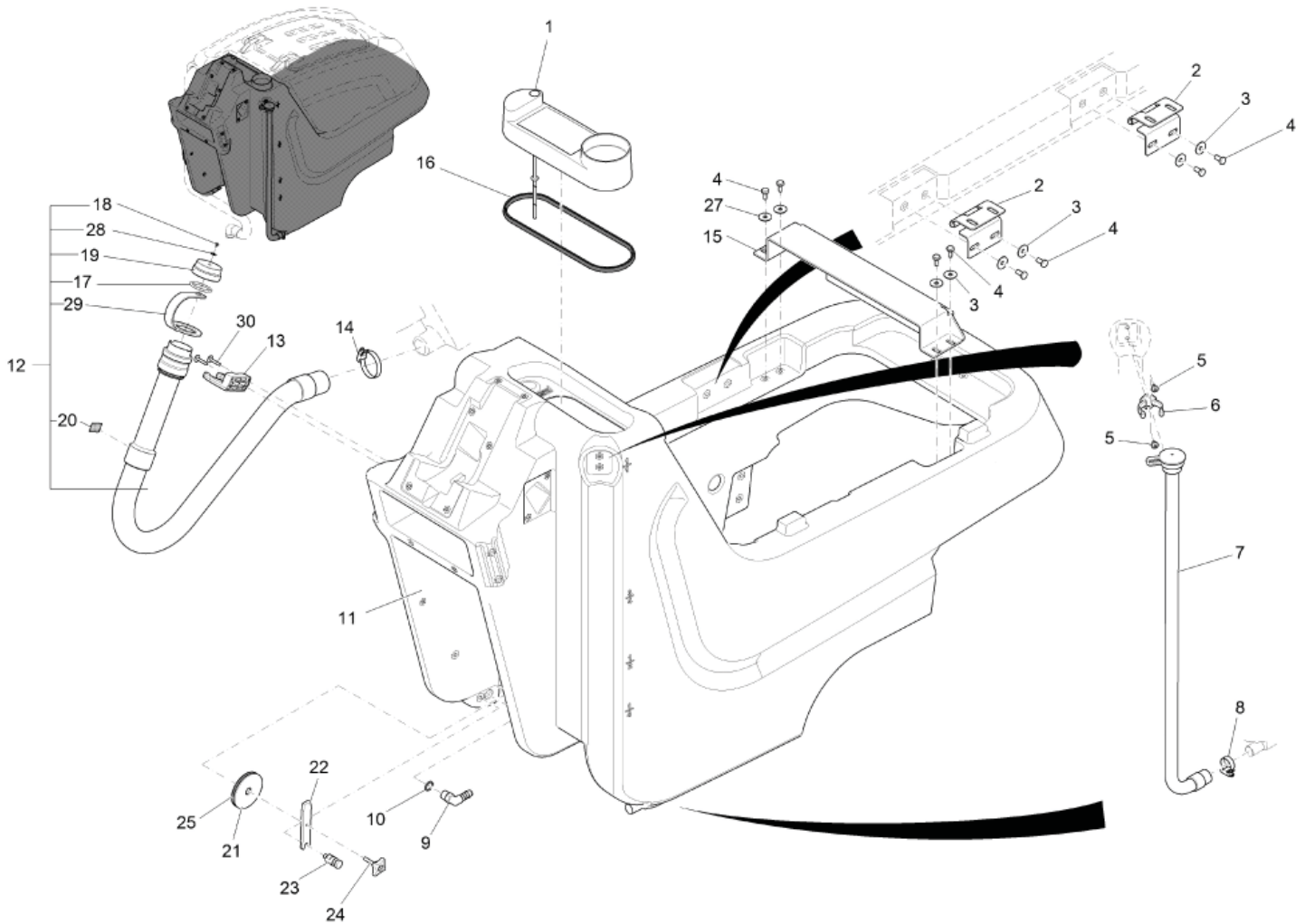
Parts List			
ITEM	PART #	QTY	DESCRIPTION
1	12040259	2	HEX NUT
2	730609	2	WASHER
3	14895197	2	SLIDE BEARING BUSH
4	90547381	3	THREADED BOLT
5	90543521	1	DRAFT LINK
6	96120993	1	SHEET METAL
7	12040044	1	HEX NUT
8	12310033	2	WASHER
9	90503251	1	HOSE SUPPORT
10	11038098	1	HEXAGON SCREW

BATTERIES AND BATTERY TRAY



Parts List			
ITEM	PART NUMBER	QTY	DESCRIPTION
1	90535360	1	SHEET METAL
2	96117171	1	BATTERY TRAY

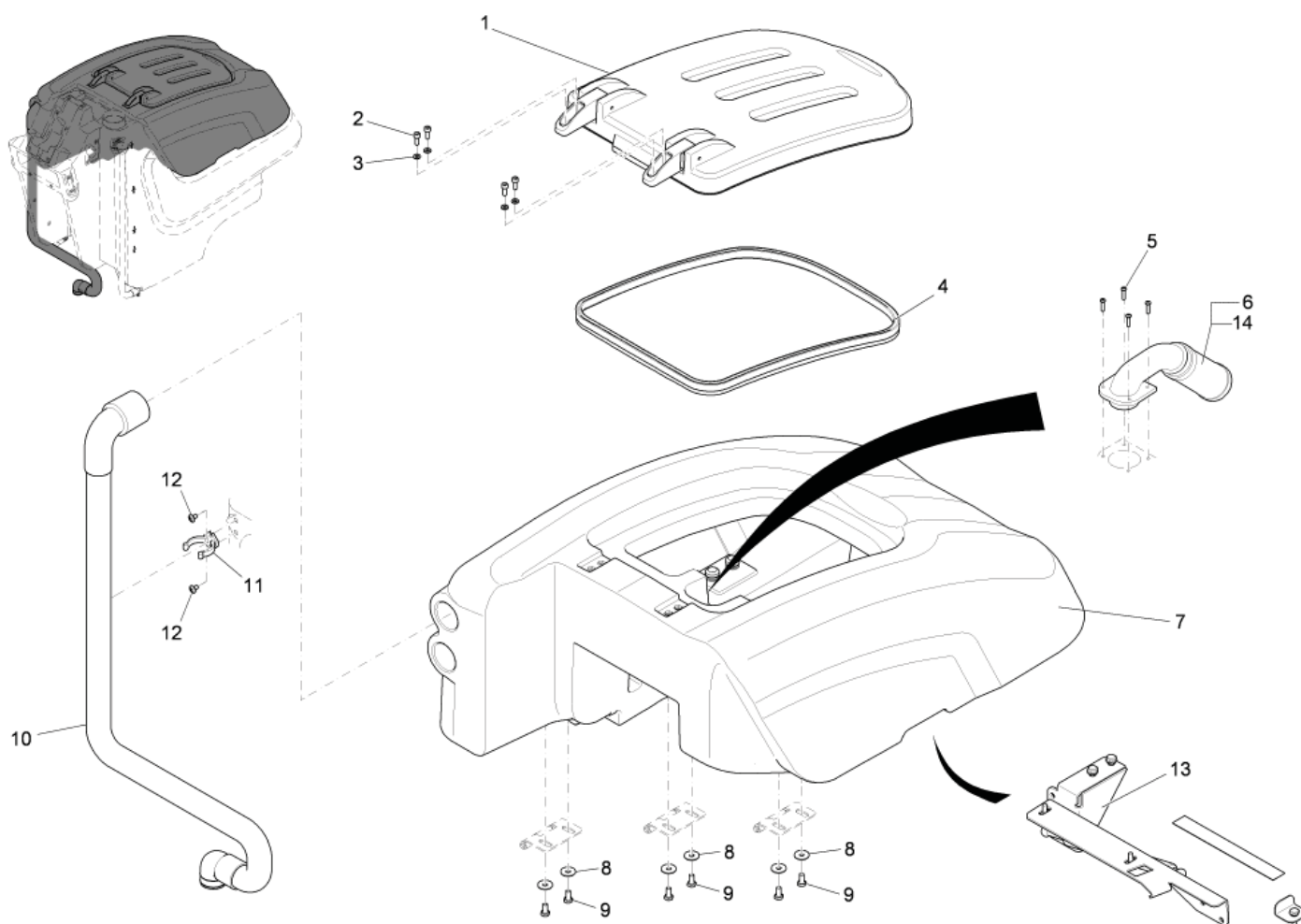
SOLUTION TANK ASSEMBLY



SOLUTION TANK ASSEMBLY BOM

Parts List			
ITEM	PART #	QTY	DESCRIPTION
1	96114061	1	SOLUTION TANK LID ASSY
2	90496910	2	HINGE, RECOVERY TANK
3	12515086	4	WSR-CONICAL SPR W/TOOTH M9.2 X 26 X 2 S
4	11038197	8	BLT-HH M8 X 1.25 X 16 STL ZD 8.8 DIN 933
5	11177179	2	SCR-BHCS W/FLANGE M6 X 1.0 X 10 304SS
6	90503251	1	HOSE SUPPORT
7	96110622	1	HOSE, SOLUTION
8	3300535	1	CLAMP - SCREW .5" to 1.25" DIA 201SS
9	90174970	1	FTG-ELBOW 90 3/8 MPT X 1/2 HB PP
10	15286149	1	O-RING, 15MM X 2.5MM, 85 SHORE
11	96127501	1	SOLUTION TANK B120
12	97146310	1	HOSE, RECOVERY
13	01171590	1	HOSE SUPPORT
14	760245	1	CLAMP - SCREW 1" to 2" DIA 201SS
15	96118930	1	ASSY - CROSS BEAM
16	25583022	0,710	EDGE PROTECTION
17	90618646	1	O-RING
18	90618661	1	TAPPING SCREW
19	90618638	1	COVER
20	17264888	1	DECAL-RECOVERY DRAIN HOSE
21	90576695	1	COVER
22	90577131	1	BRACKET
23	90576786	1	SCREW
24	310501	1	KNOB, STAR HANDLE
25	90575341	1	GASKET
27	12332029	2	WSR-FLT M8.4 X 24 X 2 STL 140HV ZD DIN 9
28	12332060	1	WASHER
29	90618620	1	HOLDING BAND
30	11177161	2	SC-BHCS W/ FLANGE M6 X 1.0 X 25 304SS

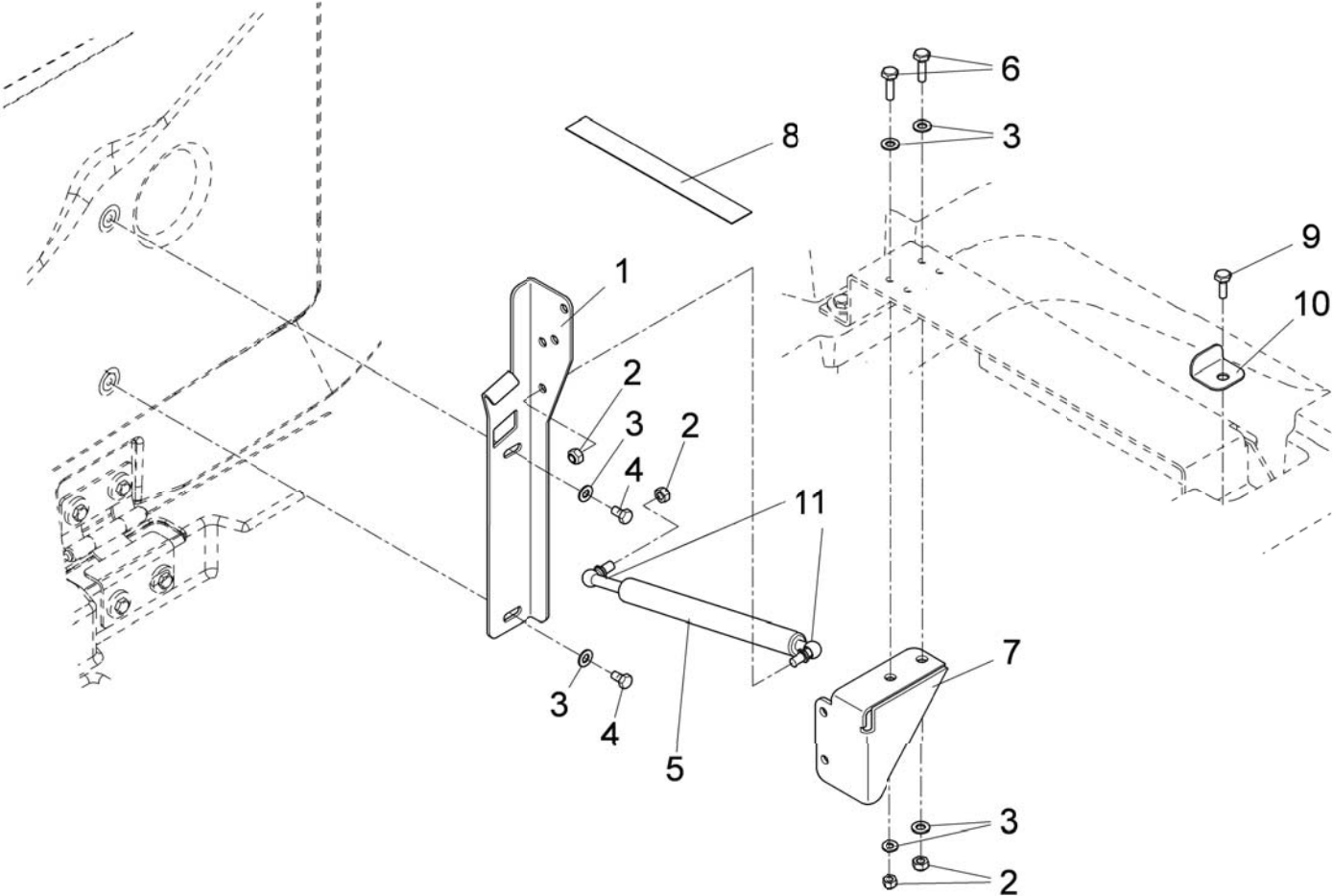
RECOVERY TANK ASSEMBLY



RECOVERY TANK ASSEMBLY BOM

Parts List			
ITEM	PART #	QTY	DESCRIPTION
1	97106645	1	RECOVERY TANK LID ASSEMBLY
2	11132065	4	SCR-SHCS M6-1.0 X 16 ZD CLASS 8.8
3	12310033	4	WASHER-FLAT M6.4 X 12 X 1.6 ZP
4	25510512	1580 mm	GASKET, RUBBER BLADE, PRESS IN
5	11709151	4	SCR-EJOT PT M5 X 20 304SS
6	97118731	1	FILTER UNIT, SCREENED FLOAT
7	96116363	1	RECOVERY TANK B120
8	12515086	6	WSR-CONICAL SPR W/TOOTH M9.2 X 26 X 2 S
9	11038197	6	BLT-HH M8 X 1.25 X 16 STL ZD 8.8 DIN 933
10	96130935	1	HOSE, VACUUM
11	90503251	1	HOSE SUPPORT
12	11177179	2	SCR-BHCS W/FLANGE M6 X 1.0 X 10 304SS
13	97101653	1	LIFTING DEVICE
14	90618646	1	ORING

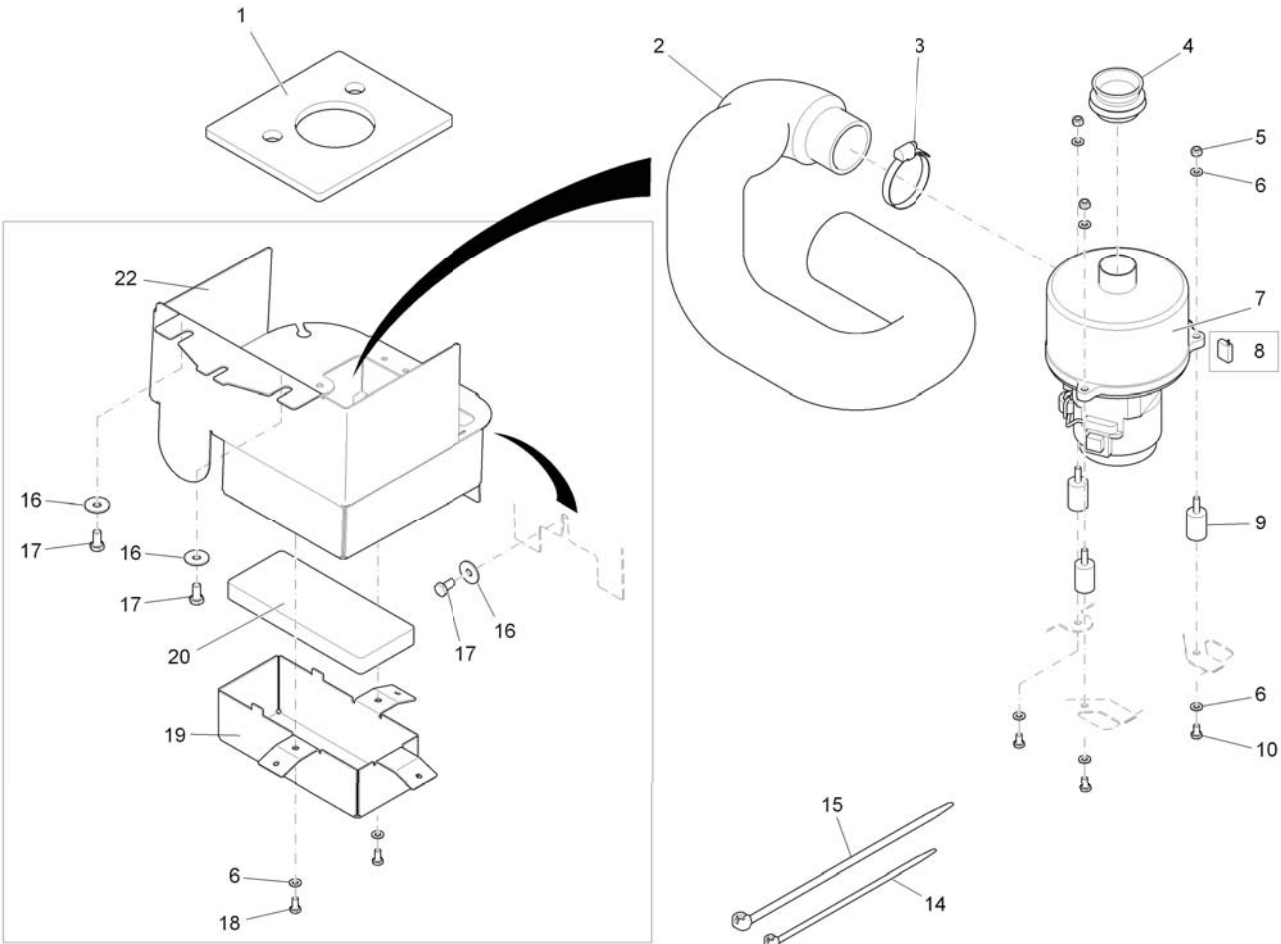
LIFTING DEVICE



LIFTING DEVICE

Parts List			
ITEM	PART #	QTY	DESCRIPTION
1	90540667	1	ANGLE
2	12040051	4	NUT-NYLOC M8 X 1.25 ZP CLASS 8
3	12332029	7	WSR-FLT M8.4 X 24 X 2 STL 140HV ZD DIN 9
4	11038197	2	BLT-HH M8 X 1.25 X 16 STL ZD 8.8 DIN 933
5	3307589	1	SPRING-GAS 8" STROKE, 19.7" EXT. (70LBF)
6	11038247	2	SCR-HH M8-1.25 X 25 ZP CLASS 8.8
7	90538612	1	RETAINER
8	90370792	1	WEBBING
9	11038213	1	BLT-HH M8 X 1.25 X 20 STL ZD 8.8 DIN 933
10	90540642	1	ANGLE
11	3300376	2	STUD-BALL GAS SPR 5/16-18 THRD .391DIA.

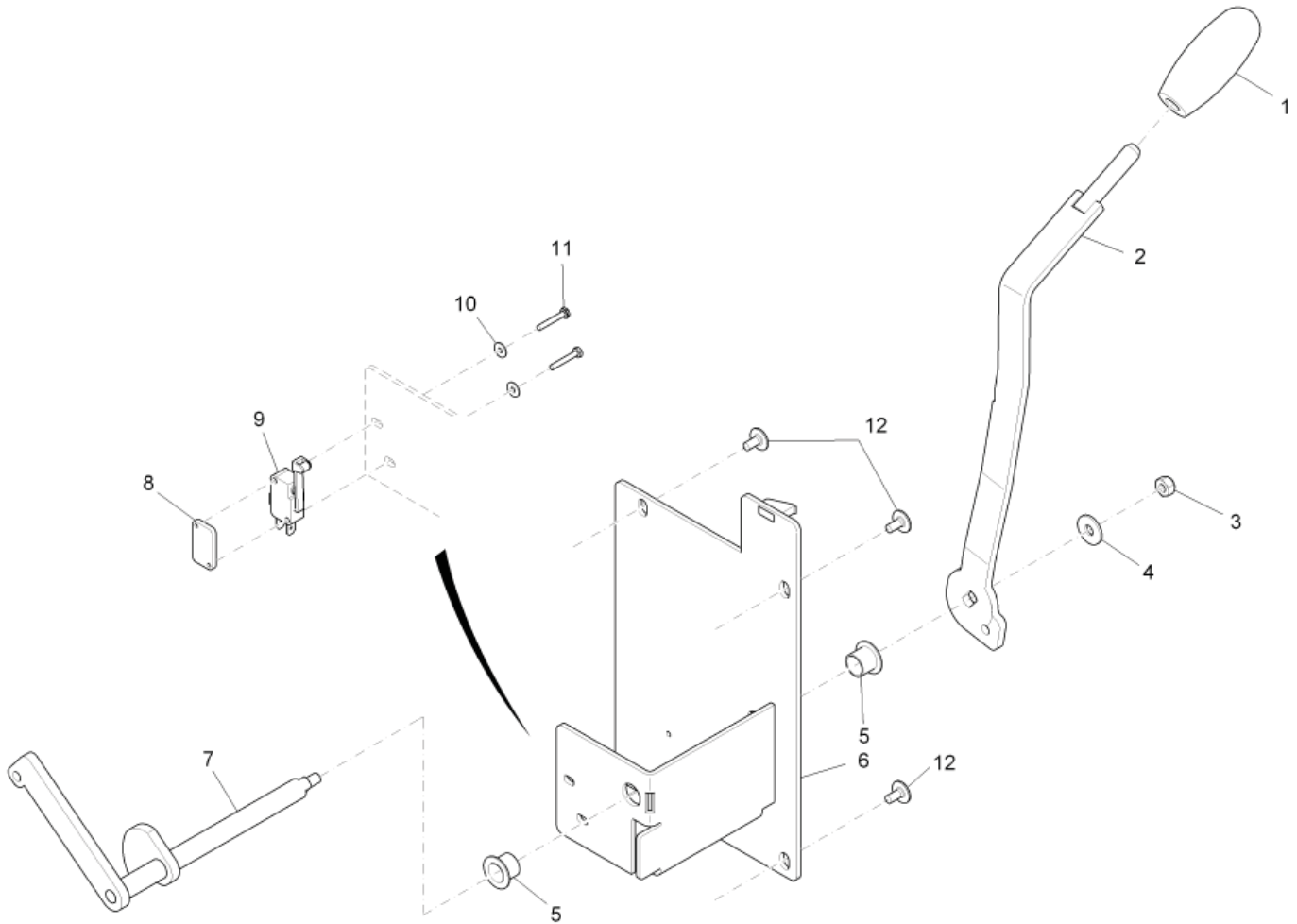
SUCTION



SUCTION BOM

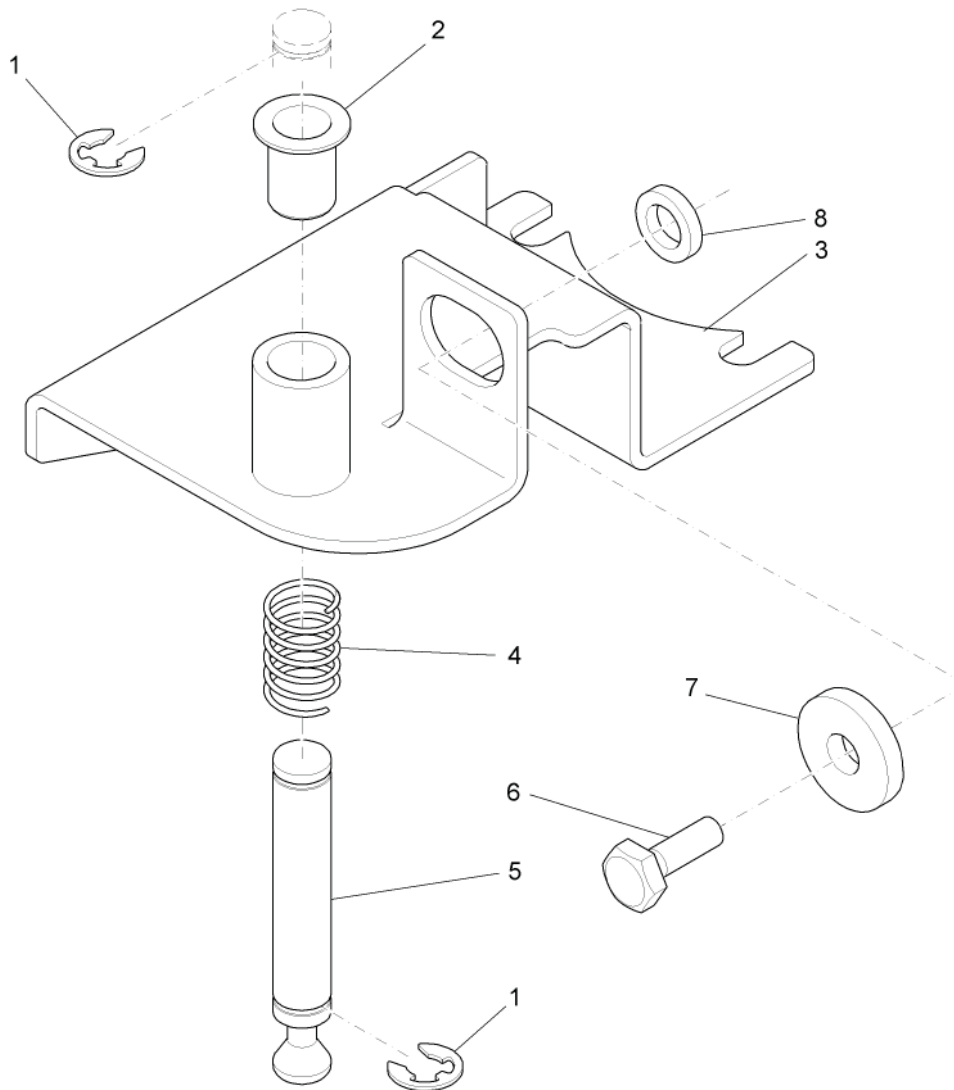
Parts List			
ITEM	PART #	QTY	DESCRIPTION
1	90523945	1	FOAM COVER, E26 VAC MOTOR
2	90519737	1	HOSE, VACUUM EXHAUST
3	3044112	1	CLAMP - SCREW 1.5" to 2.5" DIA 201SS
4	90503657	1	CONNECTION
5	12040044	3	NUT-NYLOC M6 X 1.0 ZP CLASS 6
6	12310033	8	WASHER-FLAT M6.4 X 12 X 1.6 ZP
7	97096200	1	VACUUM MOTOR SUB-ASSY
8	48840	4	CARBON BRUSH
9	90518457	3	ISOLATOR MOUNT
10	11038056	3	BLT-HH M6 X 1.0 X 10 STL ZD 8.8 DIN 933
14	828062	1	CABLE TIE LARGE
15	90156688	4	CABLE TIE 14" LG BLACK
16	12332029	3	WSR-FLT M8.4 X 24 X 2 STL 140HV ZD DIN 9
17	11038197	3	BLT-HH M8 X 1.25 X 16 STL ZD 8.8 DIN 933
18	11038064	2	BLT-HH M6 X 1.0 X 12 STL ZD 8.8 DIN 933
19	90519653	1	COVER 70771/01
20	90519745	1	INSULATING MAT
22	96114301	1	VACUUM MOUNT WELDMENT

SQUEEGEE OPERATION



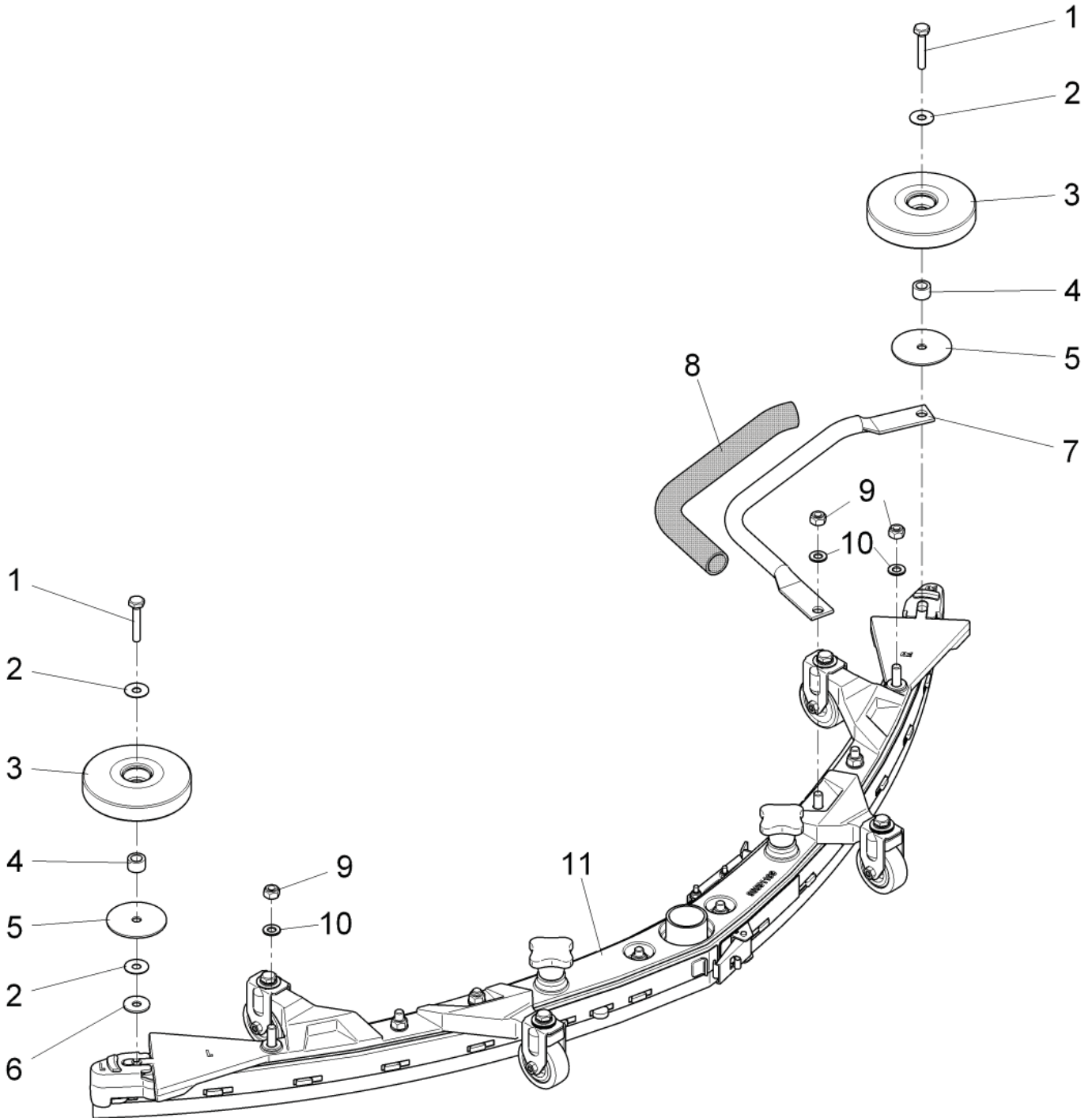
Parts List			
ITEM	PART #	QTY	DESCRIPTION
1	17143025	1	HANDLE
2	96119581	1	LEVER WELDMENT, SQUEEGEE LIFT
3	12040044	1	NUT-NYLOC M6 X 1.0 ZP CLASS 6
4	12332011	1	WASHER-FLAT M6.4 X 18 X 1.6 ZP
5	14895288	2	BUSH-FLG NYL, GFM-1214-12 (12X14X12X1)
6	96118971	1	SUPPORT PLATE WELDMENT
7	96110705	1	SHAFT WITH CAM
8	90471483	1	PLATE, THREADED SWITCH MOUNT SS
9	90636234	1	MICRO SWITCH
10	12332110	2	WSR-FLT M3.2 X 9 X 0.8 STL 140HV ZD DIN
11	11039088	2	BLT-HH M3 X 0.5 X 20 8.8 ZP DIN 933
12	11177179	4	SCR-BHCS W/FLANGE M6 X 1.0 X 10 304SS

SQUEEGEE LOCK



Parts List			
ITEM	PART #	QTY	DESCRIPTION
1	12640033	2	THRUST WASHER
2	14895288	1	PLAIN BEARING BUSH
3	96117551	1	FOLDING PLATE
4	90523325	1	CYL.COMPRESSION SPRING
5	90523036	1	PIN
6	11038213	1	HEXAGON SCREW
7	12515086	1	DISK WHEEL
8	90525692	1	SPACER SLEEVE

SQUEEGEE ASSEMBLY



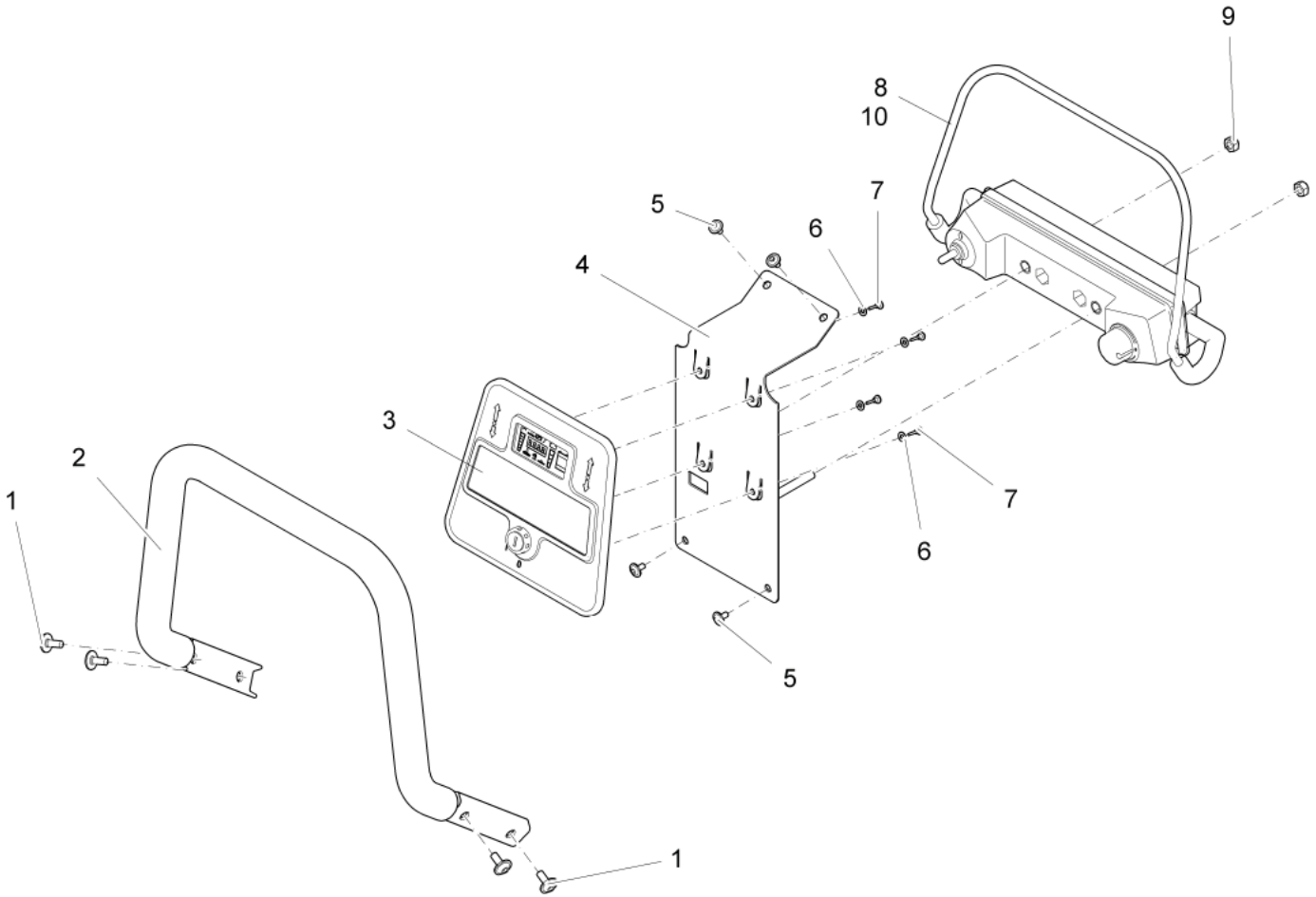
SQUEEGEE ASSEMBLY I BOM

Parts List			
ITEM	PART #	QTY	DESCRIPTION
1	717037	2	SCR-HH M8-1.25 X 40 SS
2	90531112	3	WASHER-FLAT 8.3 X 22 X 1.00MM STAIN-LESS
3	90548397	2	ROLLER - PLASTIC, 100MM DIA. (4")
4	90199019	2	BUSHING, 10 X 16 X 10.8MM ZINC
5	90551185	2	WASHER-FLAT 8.5 X 55 X 2 SS
6	12332029	1	WSR-FLT M8.4 X 24 X 2 STL 140HV ZD DIN 9
7	90592023	1	BRACKET, PAINTED
8	25842055	290 mm	PVC HOSE
9	12040259	3	NUT-NYLOC M8 X 1.25 SS
10	730609	3	WASHER-FLAT M8 SS
11	97099287	1	SQUEEGEE SUB

SQUEEGEE SUBASSEMBLY BOM

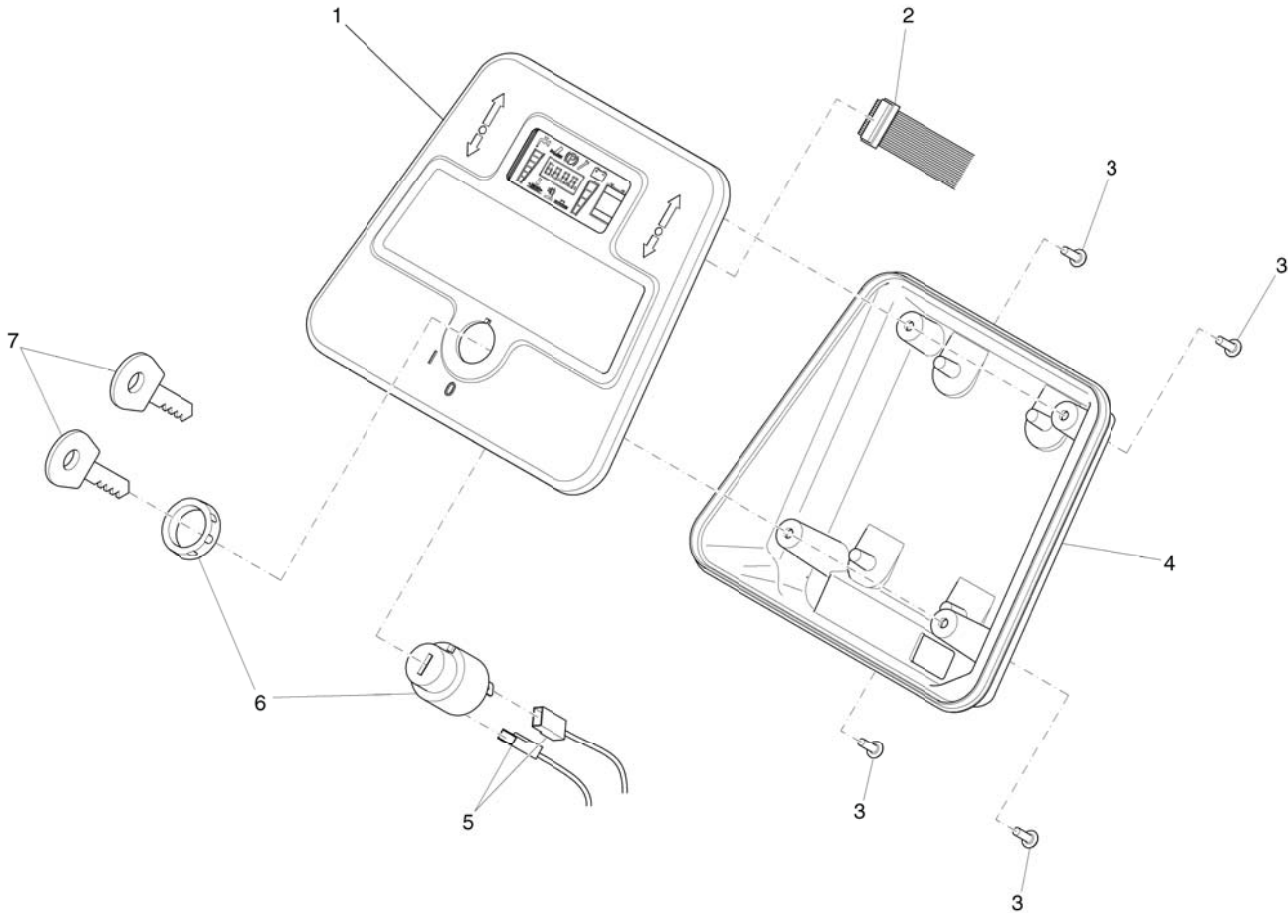
Parts List			
ITEM	PART #	QTY	DESCRIPTION
1	12040283	2	NUT-NYLOC M5 X 0.8 304SS DIN985
2	172234	1	LEVER - 90535758
3	11039328	2	SCR-HH M10-1.50 X 25 SS DIN 933
4	172074	2	SPACER, 5/16OD X 17GA, ALUM
5	12022430	1	NUT-HEX M5 X 0.8 316SS DIN 934
6	90513631	1	PRESSURE PIECE
7	96125950	1	FRONT TENSION BAND RIGHT
8	96125943	1	FRONT TENSION BAND LEFT
9	1079790	1	SQUEEGEE BLADE, FRONT, LINATEX
10	717030	4	SCR-HH M8-1.25 X 20 SS
11	730609	10	WASHER-FLAT M8 SS
12	90531112	22	WASHER-FLAT 8.3 X 22 X 1.00MM STAINLESS
13	90513094	4	FIXED CASTER
14	717029	4	NUT-HEX M8 X 1.25 SS
15	90546243	1	END COVER, LEFT, SQUEEGEE
16	90546235	1	END COVER, RIGHT, SQUEEGEE
17	90591199	1	SUCTION UNIT BODY
18	12040259	5	NUT-NYLOC M8 X 1.25 SS
19	97125306	2	STAR HANDLE YELLOW
21	11039328	2	SCR-HH M10-1.50 X 25 SS DIN 933
22	15592033	2	CAP, SAFETY NUT COVER M8
23	96131339	1	BASE PLATE
24	1079780	1	SQUEEGEE, REAR, LINATEX
25	96125968	1	REAR TENSION BAND LEFT
26	96125976	1	REAR TENSION BAND RIGHT
27	11518313	1	BLT-EYE M5 X 40 (DIN444-B / SS)
28	01079780	1	SQUEEGEE BLADE, REAR LINATEX
29	01079790	1	SQUEEGEE BLADE, FRONT LINATEX

HANDLE ASSEMBLY



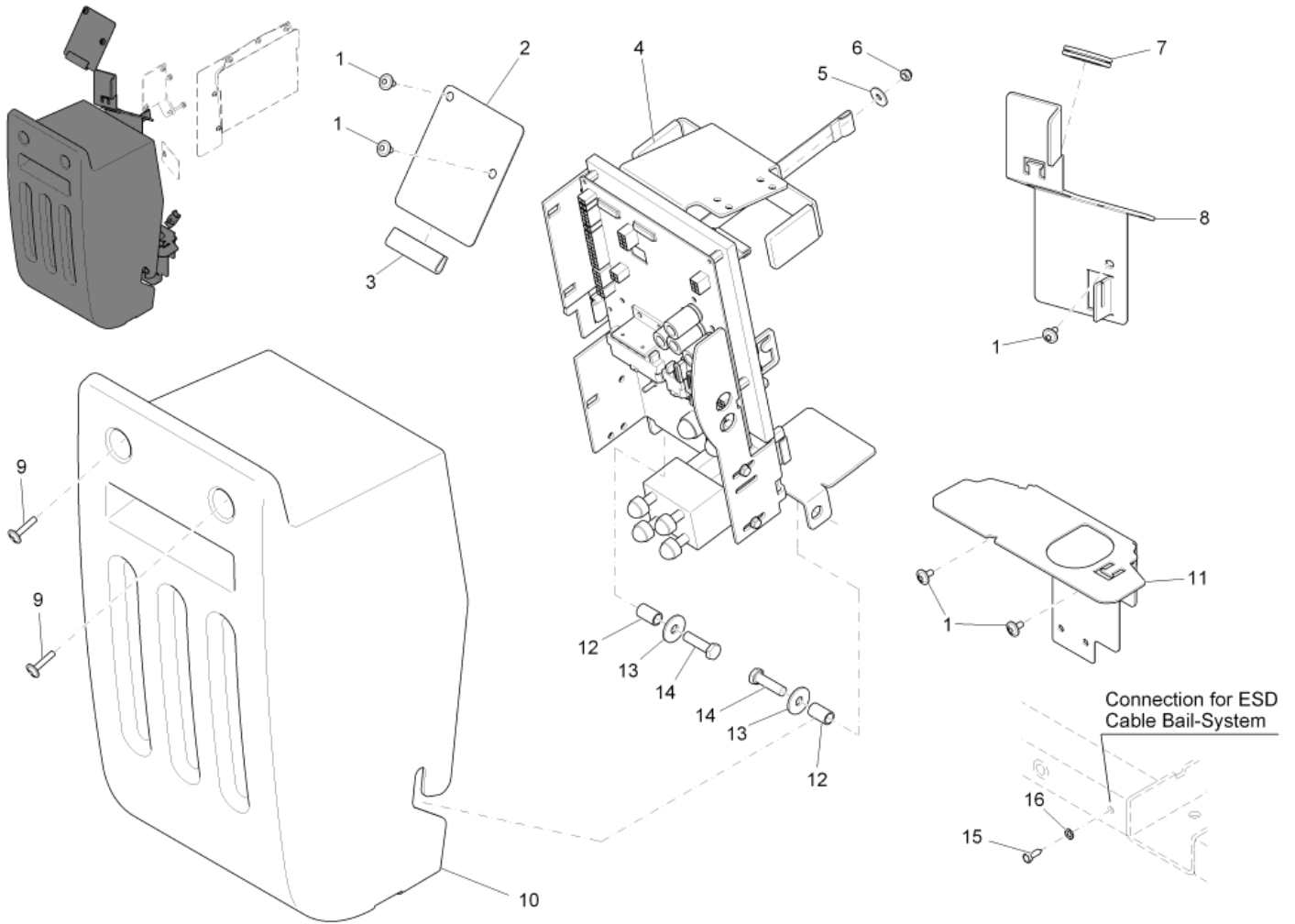
Parts List			
ITEM	PART #	QTY	DESCRIPTION
1	11177253	4	SC-BHCS W/ FLANGE M8 X 1.25 X 12 304SS
2	96122286	1	HANDLE BAR, COMPL.
3	97091839	1	DASH PANEL, E24
4	96117585	1	BRACKET, PANEL MOUNT
5	11177179	4	SCR-BHCS W/FLANGE M6 X 1.0 X 10 304SS
6	12310272	4	WSR-FLT M4.3 X 9 X 0.8 316SS DIN 125-B
7	11709011	4	SCR-EJOT PT M4 X 14 304SS
8	97096069	1	BAIL SYSTEM
9	12040051	2	NUT-NYLOC M8 X 1.25 ZP CLASS 8
10	90516204	2	RUBBER CAP

CONSOLE ASSEMBLY



Parts List			
ITEM	PART #	QTY	DESCRIPTION
1	96113477	1	CONSOLE B70/B90
2	90511130	1	RIBBON CABLE
3	11702123	4	SCREW
4	90499492	1	CONSOLE REAR COVER
5	90518150	1	CABLE KEY SWITCH
6	90323437	1	KEY SWITCH
7	745890	1	SET (2PC.) KEY

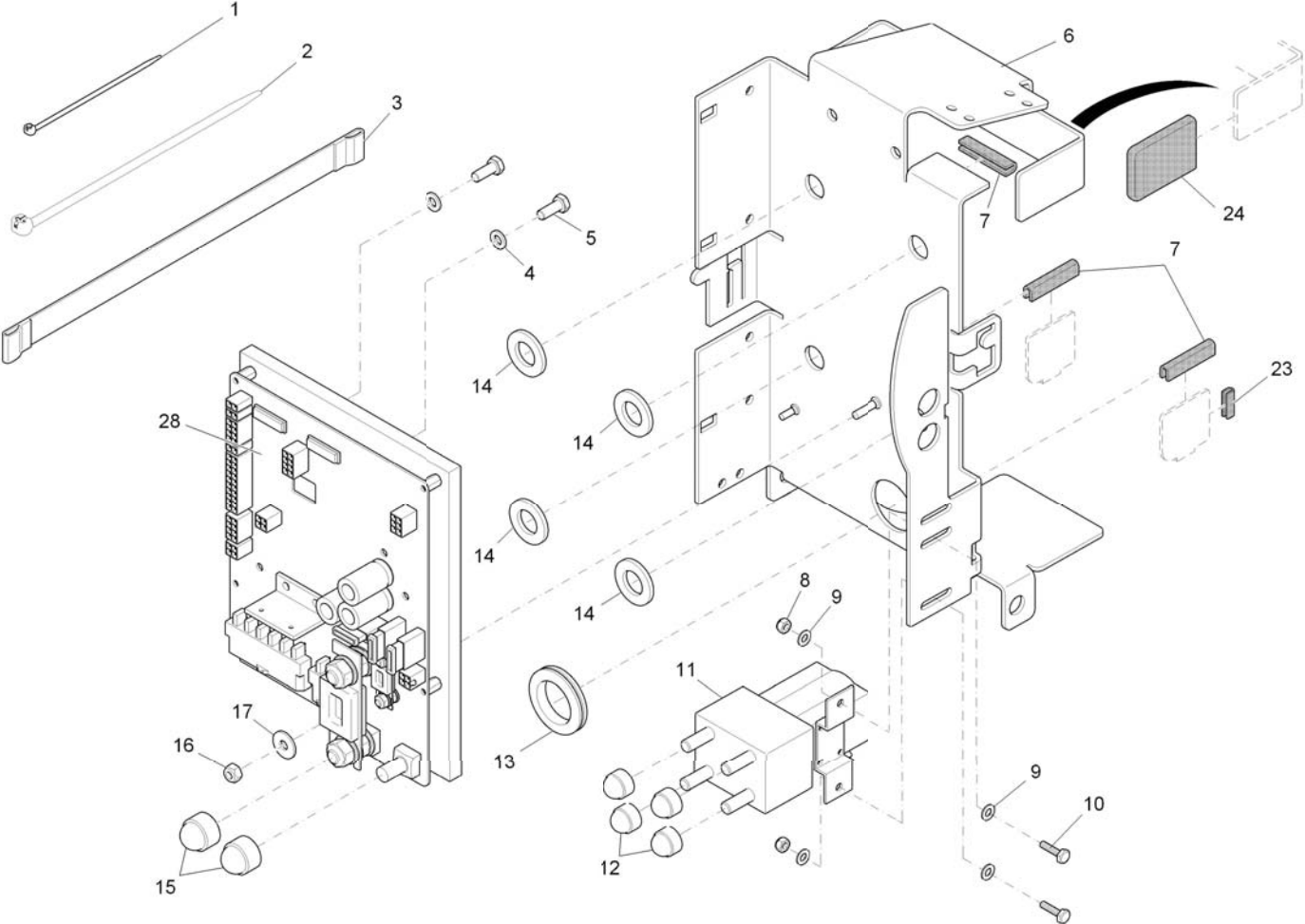
ELECTRIC ASSEMBLY I



ELECTRIC ASSEMBLY I BOM

Parts List			
ITEM	PART #	QTY	DESCRIPTION
1	11177179	5	SCR-BHCS W/FLANGE M6 X 1.0 X 10 304SS
2	90509803	1	COVER PLATE
3	25582024-1	60mm	EDGE PROTECTION
4	97102503	1	ASSY - CONTROL BOARD COMPLETE
5	12347027	1	WASHER-FLAT M6.6 X 22 X 2 ZP
6	12040044	1	NUT-NYLOC M6 X 1.0 ZP CLASS 6
7	15595259	1	CABLE SLEEVE TYPE DA 300/350/30
8	90540907	1	BRACKET, ELECT. COMPARTMENT
9	11177261	2	SCR-BHSCS M6 X 1.0 X 20 SS W/FLANGE
10	96114996	1	COVER, ELECTRICAL PANEL
11	90529876	1	CLAMPING PLATE
12	90499377	2	BUSHING
13	12332029	2	WSR-FLT M8.4 X 24 X 2 STL 140HV ZD DIN 9
14	11038254	2	SCR-HH M8-1.25 X 30 ZP CLASS 8.8
15	11412038	1	SCR-ST-A HH M5.5 X 16 STL ZD DIN 7976C
16	12518080	1	WSR-EXT LOCK M5.3 X 10 X 0.6 ZP

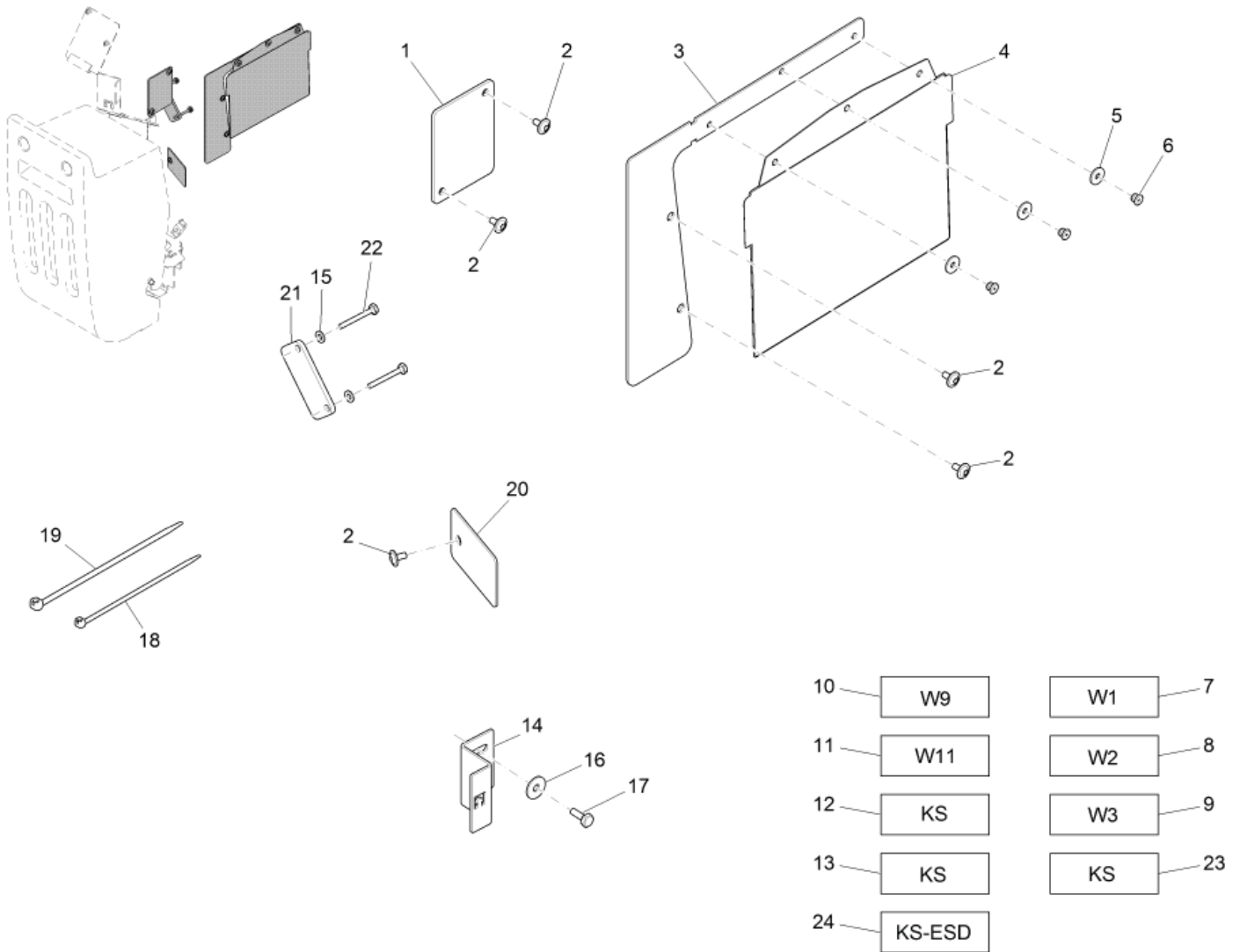
CONTROL BOARD ASSEMBLY



CONTROL BOARD ASSEMBLY BOM

Parts List			
ITEM	PART #	QTY	DESCRIPTION
1	90156688	4	CABLE TIE 14" LG BLACK
2	828062	8	CABLE TIE LARGE
3	90517699	1	WEBBING
4	12310033	2	WASHER-FLAT M6.4 X 12 X 1.6 ZP
5	11038072	2	SCR-HH M6-1.0 X 16 ZP CLASS 8.8
6	96118963	1	BRACKET, ELECTRICAL PANEL MOUNT
7	25583022	120mm	EDGE PROTECTION
8	12040036	2	NUT-NYLOC M5 X 0.8 ZD CLASS 6
9	12310025	4	WSR-FLT M5.3 X 10 X 1 STL 140HV ZD DIN 1
10	11038049	2	SCR-HH M5-0.8 X 16 ZP CLASS 8.8
11	90529942	1	CONTACTOR
12	15592033	4	CAP, SAFETY NUT COVER M8
13	15595259	1	CABLE SLEEVE TYPE DA 300/350/30
14	90510017	4	WASHER, RUBBER 16.5 X 30 X 3
15	15592041	2	PROTECTIVE CAP
16	12040044	1	NUT-NYLOC M6 X 1.0 ZP CLASS 6
17	12332011	1	WASHER-FLAT M6.4 X 18 X 1.6 ZP
19	59580	1	FUSE
20	902440	1	FUSE
21	733630	1	FUSE
22	972430	1	FUSE LINK
23	25583022	30mm	EDGE PROTECTION - SOLD BY THE METER
24	90463746	2	CAP
25	906120	1	FUSE
28	97134191	1	CONTROL BOARD

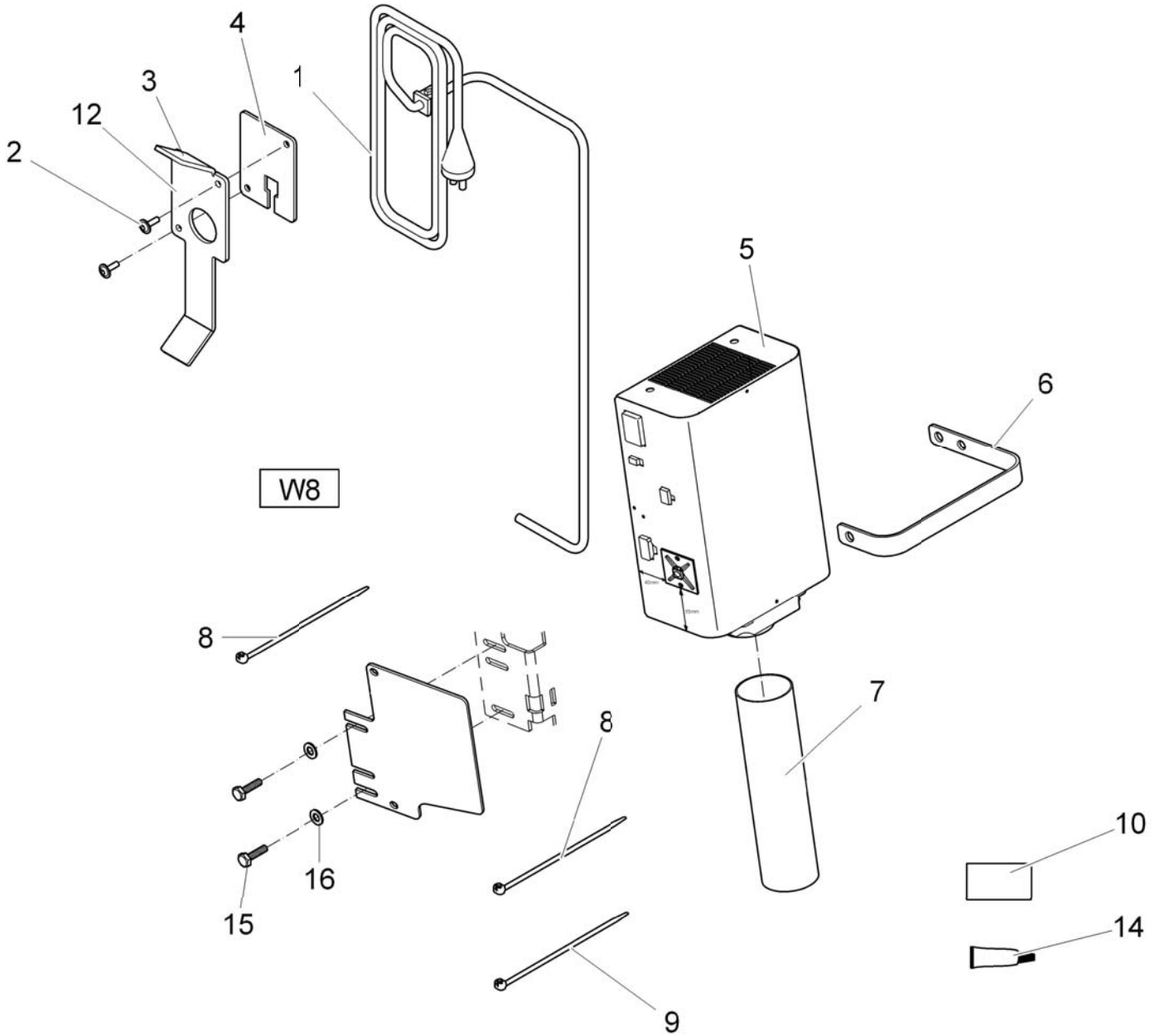
ELECTRIC ASSEMBLY II



ELECTRIC ASSEMBLY II BOM

Parts List			
ITEM	PART #	QTY	DESCRIPTION
2	11177179	7	SCR-BHCS W/FLANGE M6 X 1.0 X 10 304SS
3	90511346	1	BRACKET, INSTRUCTION MANUAL POUCH
4	90465774	1	POUCH, INSTRUCTION MANUAL
5	12332052	3	WSR-FLT M5.3 X 15 X 1.2 STL 140HV ZD DIN
6	13165196	3	BLIND RIVET
7	97096986	1	WIRE HARNESS, W1
8	97094254	1	WIRING HARNESS W2
9	97101869	1	WIRE HARNESS
10	97101547	1	WIRING HARNESS
11	97098511	1	WIRE HARNESS, W11
12	97101489	1	CABLE SET (2 PCS), RELAY TO BOARD C
13	97101471	1	WIRE ASSY, BATTERY SELECT JUMPER C
14	90529876	1	CLAMPING PLATE
15	12310033	2	WASHER-FLAT M6.4 X 12 X 1.6 ZP
16	12332029	1	WSR-FLT M8.4 X 24 X 2 STL 140HV ZD DIN 9
17	11038213	1	BLT-HH M8 X 1.25 X 20 STL ZD 8.8 DIN 933
18	828062	10	CABLE TIE LARGE
19	90156688	2	CABLE TIE 14" LG BLACK
20	90511320	1	PLATE, WIRING RETAINER
21	90538125	1	DISTANCE PLATE
22	11038817	2	BLT-HH M6 X 1.0 X 45 STL ZD 8.8 DIN 933
23	97101497	1	BATTERY CABLE SET (3 PCS) C
24	97125231	1	CABLESET, GROUND

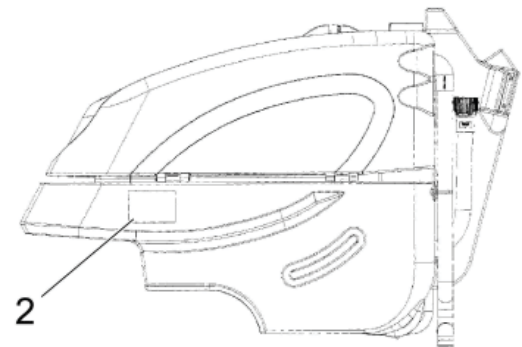
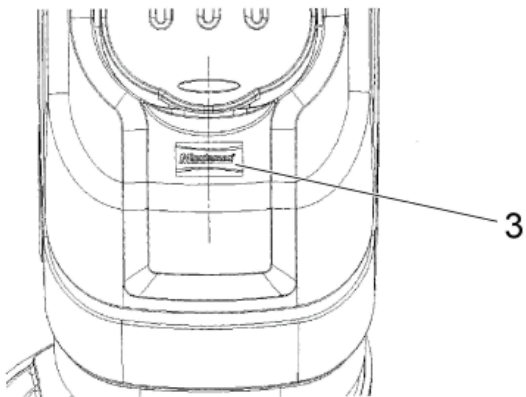
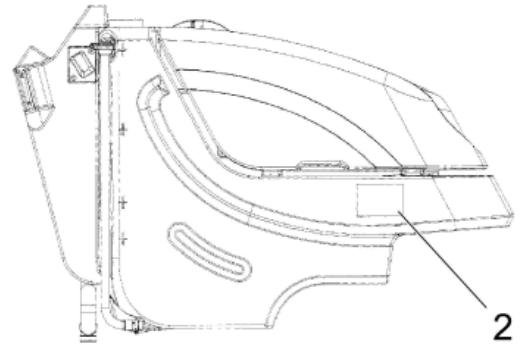
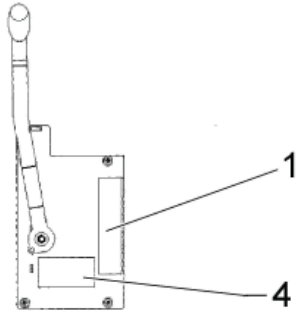
BATTERY CHARGER



BATTERY CHARGER BOM

Parts List			
ITEM	PART #	QTY	DESCRIPTION
1	90532987	1	CORD 18/3 STJ 3.4M 125V 10A NEMA-15 TO I
2	11177060	2	SCR-BHCS W/ FLANGE M6 X 1.0 X 16 304SS
3	90463746	2	CAP
4	90533266	1	COVER, CORD ATTACHMENT
5	96137732	1	BATTERY CHR, 24V 22A 115/230V
6	90517665	1	TENSION BAND
7	90512575	3	HOSE
8	828062	8	CABLE TIE LARGE
9	90156688	1	CABLE TIE 14" LG BLACK
10	97101372	1	WIRING HARNESS W6 C
12	90533258	1	CORD WRAP BRACKET
14	28030104	1	NYOGEL 760G
15	11038049	1	SCR-HH M5-0.8 X 16 ZP CLASS 8.8
16	12310025	1	WSR-FLT M5.3 X 10 X 1 STL 140HV ZD DIN 1
W8	97095111	1	WIRING HARNESS, CHARGER

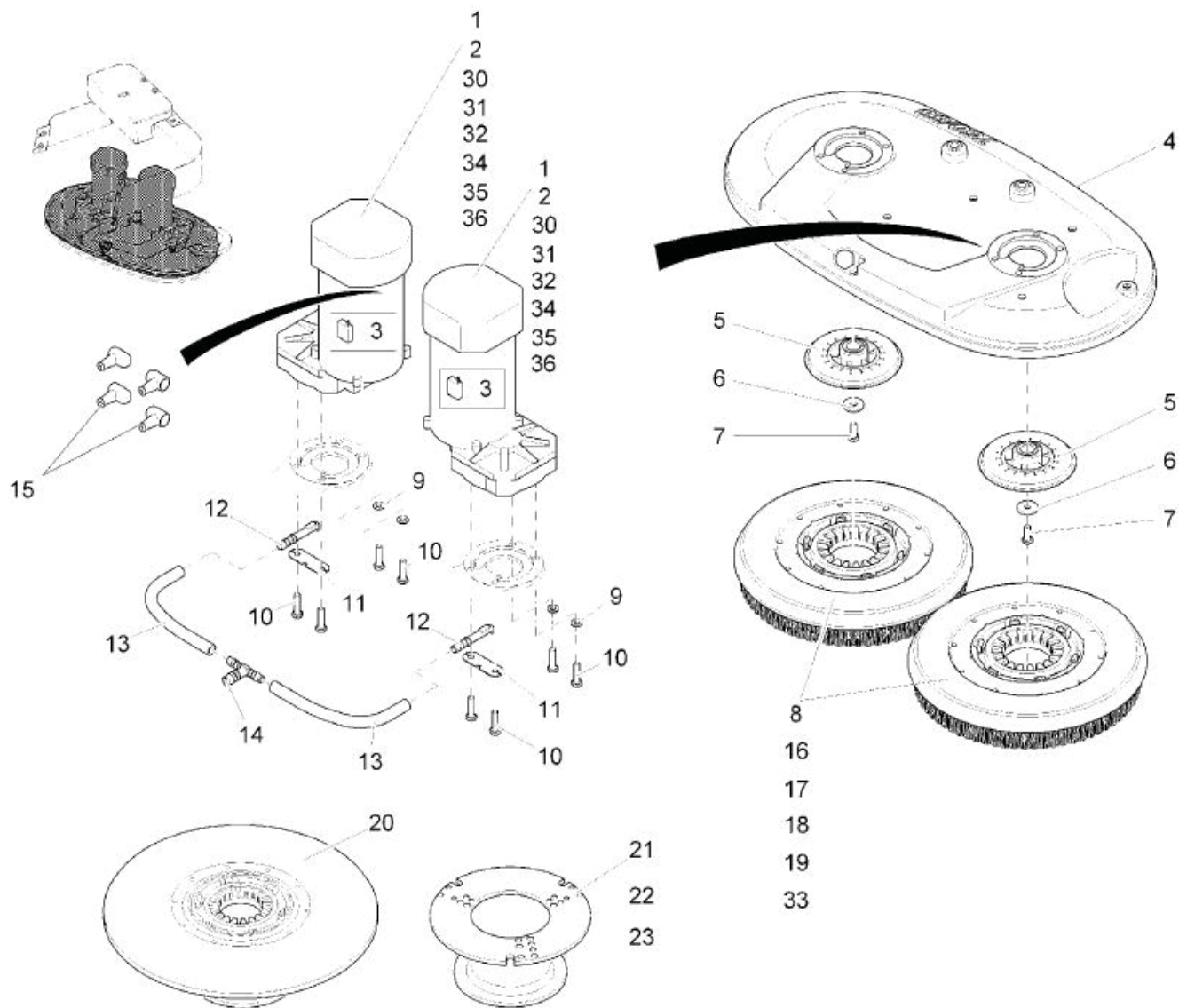
DECALS



DECALS BOM

Parts List			
ITEM	PART #	QTY	DESCRIPTION
1	17267212	1	DECAL DETAILS
2	715990	2	DECAL E28
	715991		DECAL E30
	715992		DECAL E33
3	715914W	1	DECAL MINUTEMAN
4	03008630	1	TYPE PLATE MINUTEMAN

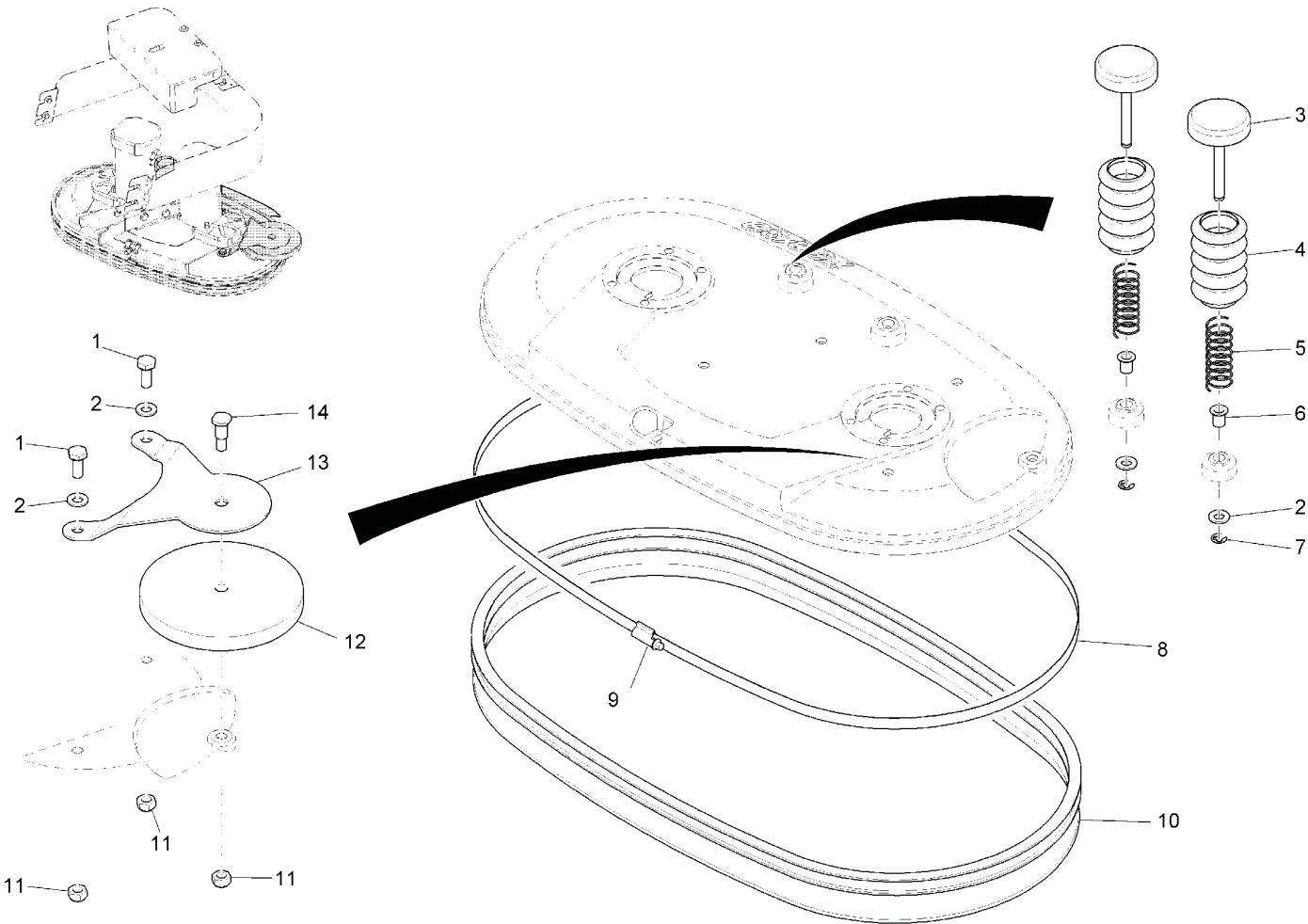
30" DISK BRUSH DECK ASSEMBLY I



30" DISK BRUSH DECK ASSEMBLY I BOM

Parts List			
ITEM	PART #	QTY	DESCRIPTION
1	90507476	2	MOTOR
2	01077230	2	FITTING KEY
3	01077240	1	SET (4PC.) CARBON BRUSH
4	03008030	1	HOUSING
5	00512400	2	CARRIER
6	90209537	2	WASHER
7	11038213	2	HEXAGON SCREW
8	7514	2	BRUSH 380 PPN 0,5
9	730609	4	WASHER
10	11038254	8	HEXAGON SCREW
11	90500216	2	SHEET METAL
12	90500265	2	SPRAY TUBE
13	25842014	540mm	HOSE - SOLD BY THE METER
14	90275157	1	T-REDUCER MUFF
15	90524174	4	PROTECTION CAP
16	99751805	2	BRUSH-LIGHT MEDIUM, BLACK
17	99751605	2	BRUSH-MEDIUM HEAVY WHITE
18	99730805	2	BRUSH-MEDIUM (SP) GRAY
19	99784310	2	BRUSH HVY DUTY PA6 GRAY
20	99752405	1	PAD-DRIVER (SP)
21	90364365	1	CENTER-LOCK, BASE PART
22	11709011	3	SELF TAPPING SCREW
23	90364373	1	CENTER-LOCK,REMOVABLE PART
30	01077250	1	SPRING
31	01077210	1	GEAR
32	01077220	1	CIRCLIP
33	7845	2	PLATE BRUSH 430 SIC PA 6.1 K120
34	01178440	1	COVERING
35	01178450	1	COVERING
36	01178460	1	BOLT

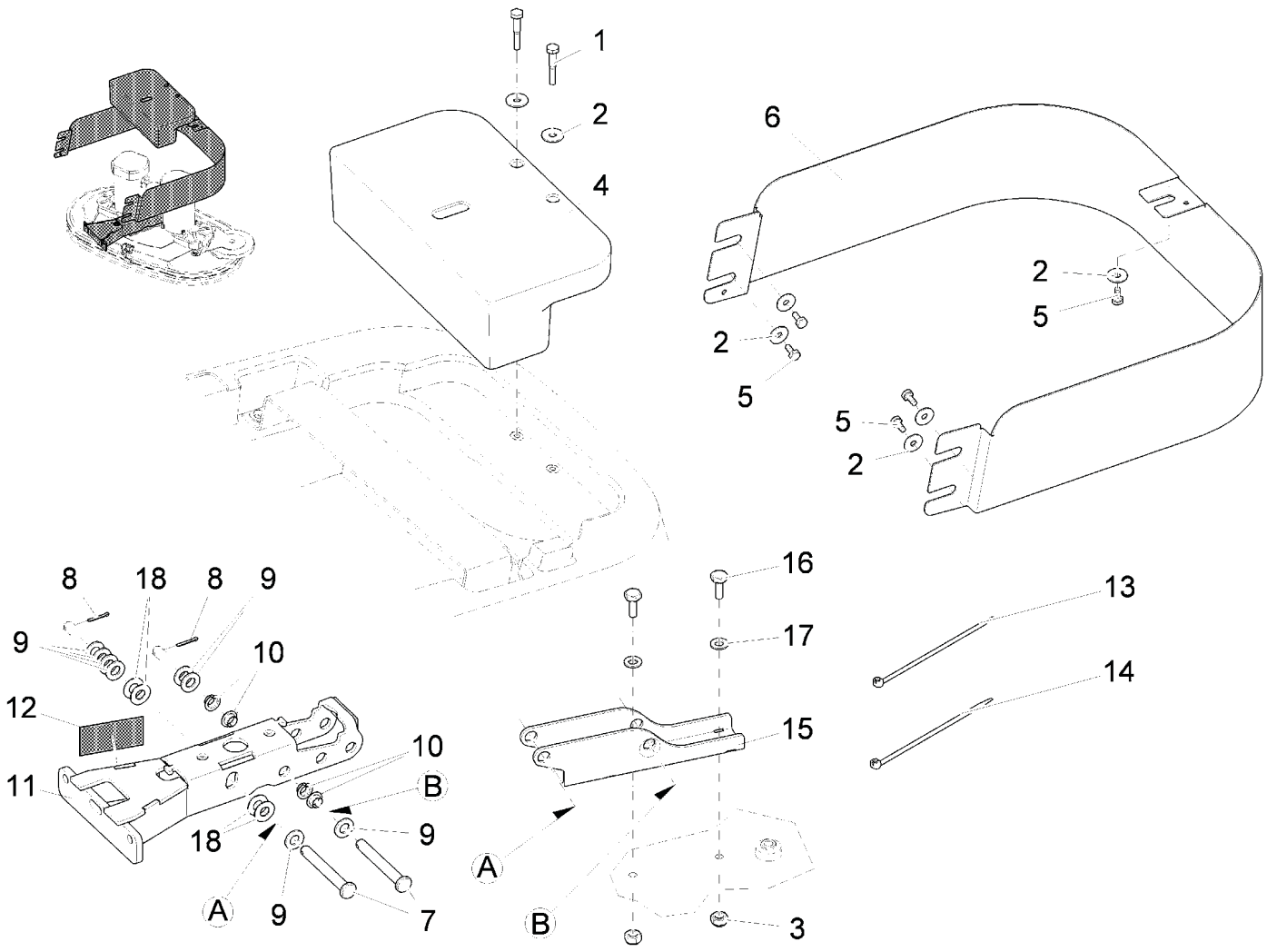
30" DISK BRUSH DECK ASSEMBLY II



30" DISK BRUSH DECK ASSEMBLY II BOM

Parts List			
ITEM	PART #	QTY	DESCRIPTION
1	11038346	2	HEXAGON SCREW
2	12310058	2	WASHER
3	96112388	2	EJECTOR
4	90500232	2	BELLOW
5	90500208	2	COMPRESSION SPRING
6	14895437	2	SLIDE BEARING BUSH
7	12640033	2	THRUST WASHER
8	17528548	2180 mm	TENSION BAND
9	17528555	1	TENSION BAND LOCK
10	1079960	1	SEALING STRIP
11	12040069	3	HEXAGON NUT
12	1170190	1	DEFLECTOR ROLLER
13	1170180	1	RETAINER
14	90507831	1	SCREW

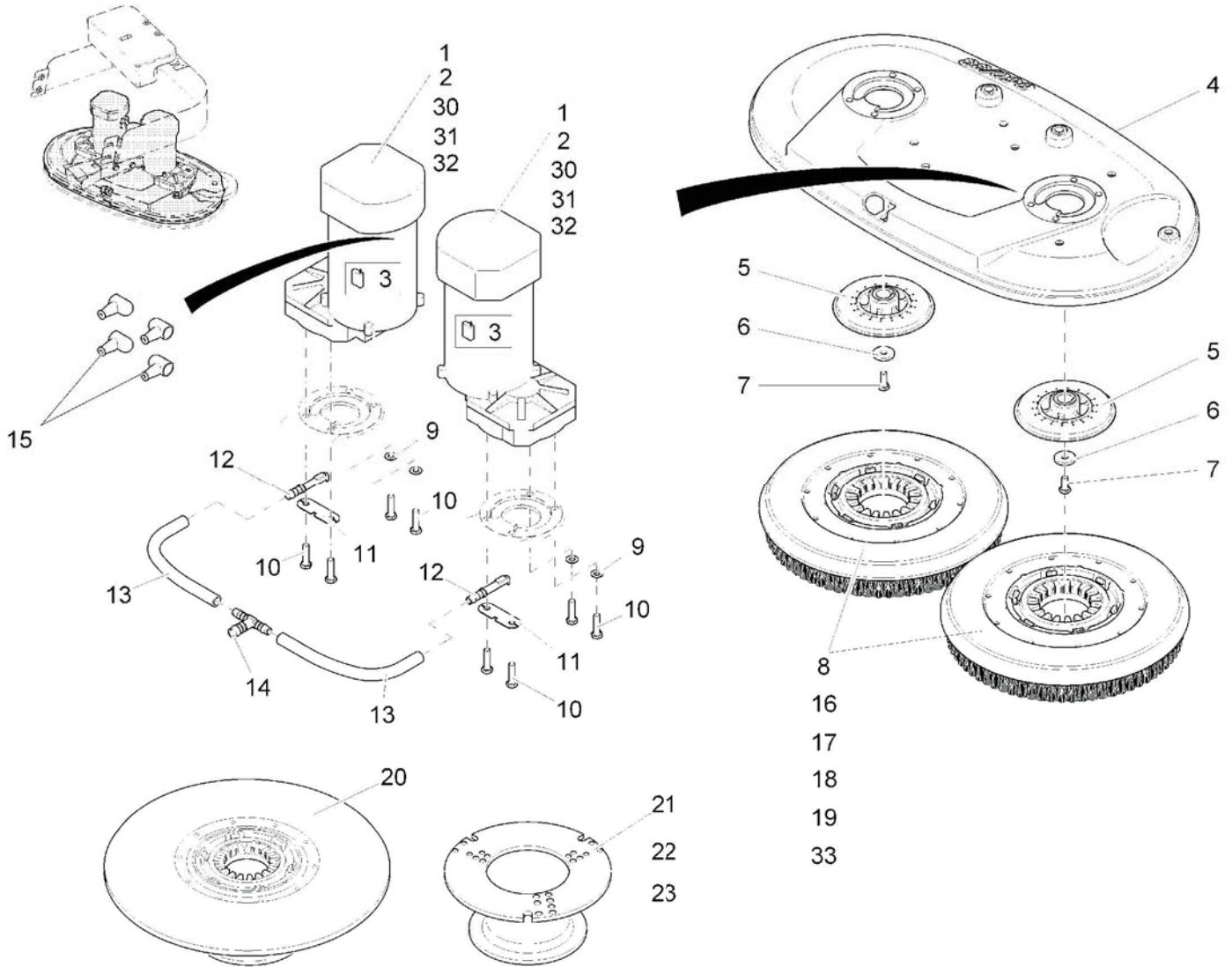
30" DISK BRUSH DECK ASSEMBLY III



30" DISK BRUSH DECK ASSEMBLY III BOM

Parts List			
ITEM	PART #	QTY	DESCRIPTION
1	00053120	2	HEXAGON SCREW
2	12332029	7	WASHER
3	12040069	2	HEXAGON NUT
4	03008090	1	WEIGHT
5	11038197	5	HEXAGON SCREW
6	01170210	1	COVERING
7	13328051	2	BOLT
8	0054870	2	COTTER PIN
9	12310066	4	WASHER
10	14895197	4	SLIDE BEARING BUSH
11	01171350	1	ROCKER
12	03008790	1	BACKING FILM
13	828062	3	CABLE TIE
14	361218	2	CABLE TIE
15	01170200	1	RETAINER
16	11038346	2	HEXAGON SCREW
17	12310058	2	WASHER
18	14898019	4	APPROACH DISK

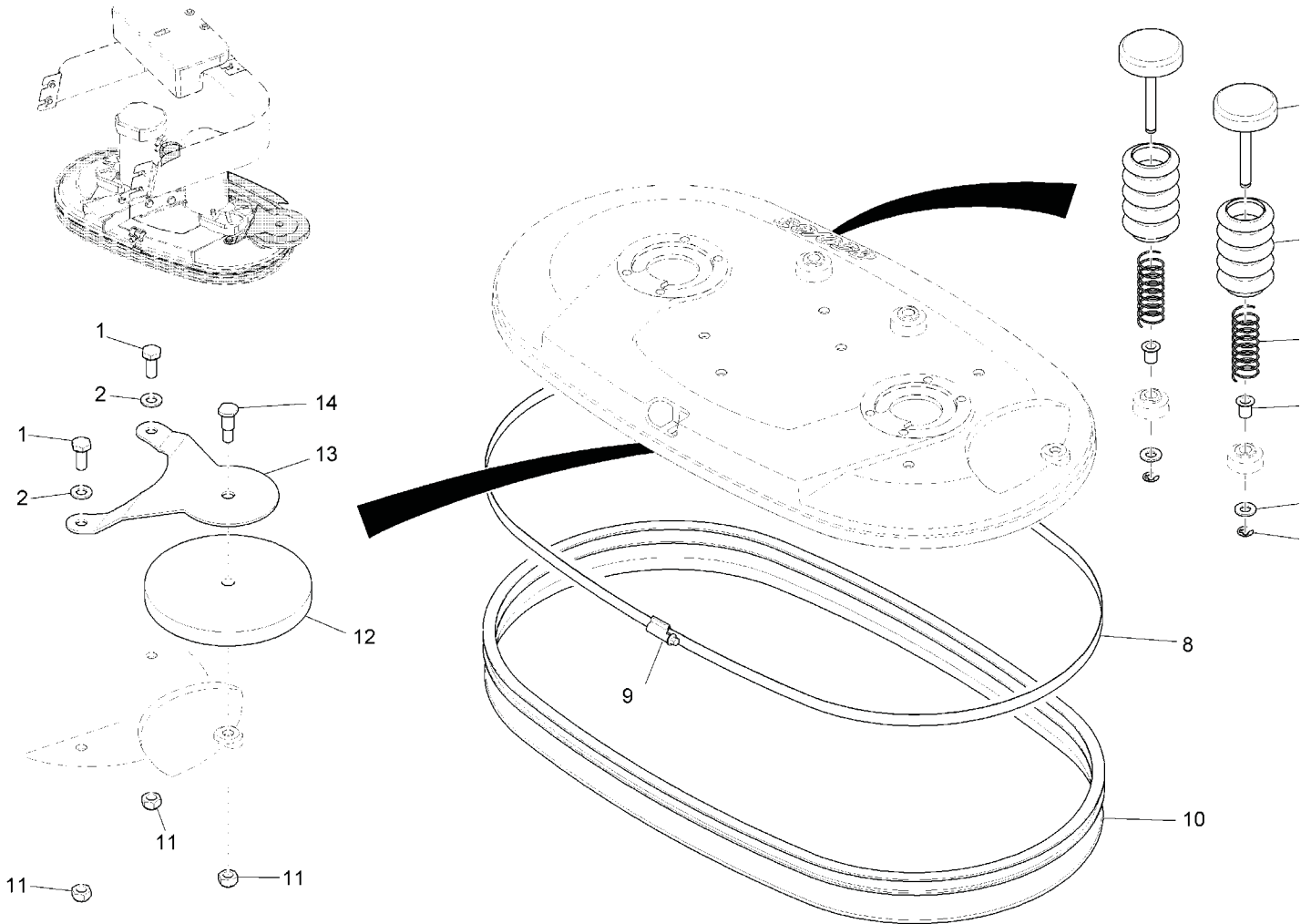
33" DISK BRUSH DECK ASSEMBLY I



33" DISK BRUSH DECK ASSEMBLY I BOM

Parts List			
ITEM	PART #	QTY	DESCRIPTION
1	01170220	2	MOTOR SCOTT 700W
2	01077230	2	FITTING KEY
3	01077240	1	SET (4PC.) CARBON BRUSH
4	03008040	1	HOUSING
5	00512400	2	CARRIER
6	90209537	2	WASHER
7	11038213	2	HEXAGON SCREW
8	99780610	2	BRUSH 85CM PPN 0.5 WHITE
9	730609	4	WASHER
10	11038254	8	HEXAGON SCREW
11	90500216	2	SHEET METAL
12	90500265	2	SPRAY TUBE
13	25842014	660mm	HOSE
14	90275157	1	T-REDUCER MUFF
15	90524174	4	PROTECTION CAP
16	99781610	2	BRUSH 85CM SYNTHETIC BLACK
17	99783610	2	PLATE BRUSH 430 PPN 0,8
18	7826	2	PLATE BRUSH 430 SIC PA 6.1 K600
19	99784310	2	BRUSH HVY DUTY PA6 GRAY
20	99785710	1	PAD DRIVER 85CM CENTER LOCK
21	90364365	1	CENTER-LOCK, BASE
22	1170911	3	SELF TAPPING SCREW
23	00681490	1	CENTER-LOCK, REMOVABLE
30	01077250	1	SPRING
31	01077210	1	GEAR
32	01077220	1	CIRCLIP
33	99784510	2	PLATE BRUSH 430 SIC PA 6.1 K120

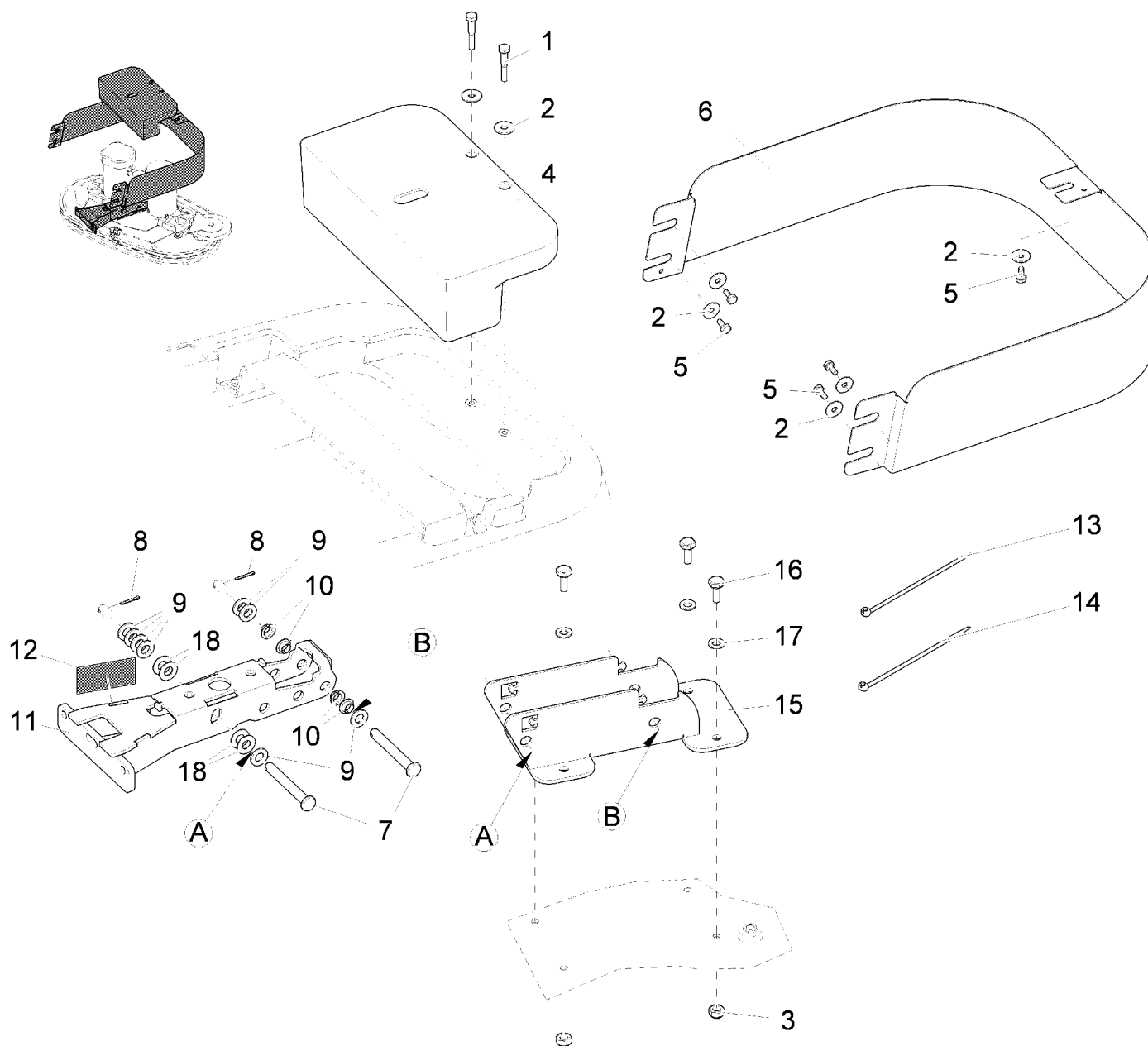
33" DISK BRUSH DECK ASSEMBLY II



33" DISK BRUSH DECK ASSEMBLY II BOM

Parts List			
ITEM	PART #	QTY	DESCRIPTION
1	11038346	2	HEXAGON SCREW
2	12310058	2	WASHER
3	96112388	2	EJECTOR
4	90500232	2	BELLOW
5	90500208	2	COMPRESSION SPRING
6	14895437	2	SLIDE BEARING BUSH
7	12640033	2	THRUST WASHER
8	17528548	2440 mm	TENSION BAND
9	17528555	1	TENSION BAND LOCK
10	01079970	1	SEALING STRIP
11	12040069	3	HEXAGON NUT
12	01170190	1	DEFLECTOR ROLLER
13	01170180	1	RETAINER
14	90507831	1	SCREW

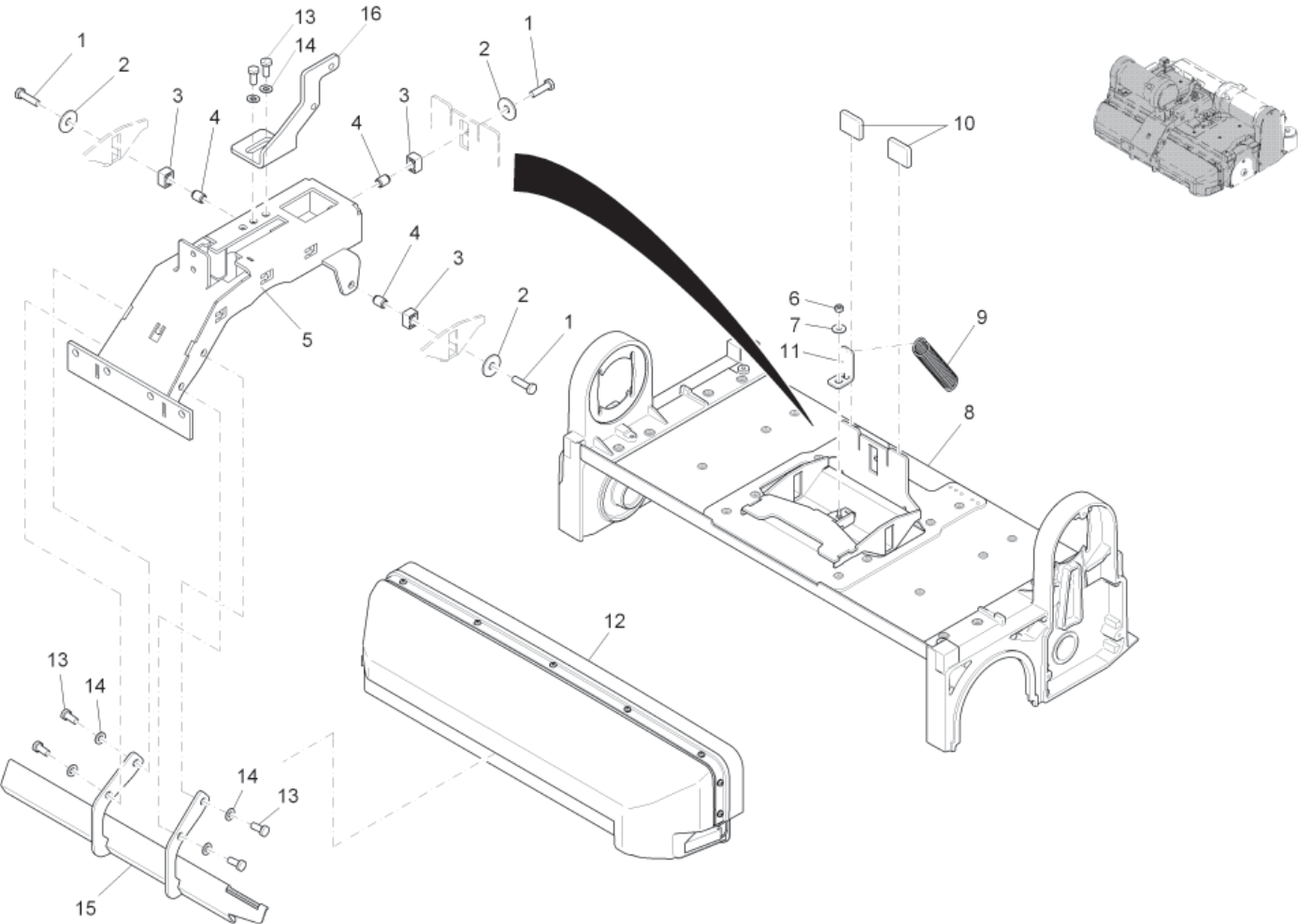
33" DISK BRUSH DECK ASSEMBLY III



33" DISK BRUSH DECK ASSEMBLY III BOM

Parts List			
ITEM	PART #	QTY	DESCRIPTION
1	00053120	2	HEXAGON SCREW
2	12332029	7	WASHER
3	12040069	2	HEXAGON NUT
4	03008090	1	WEIGHT
5	11038197	5	HEXAGON SCREW
6	01170210	1	COVERING
7	00879650	2	BOLT
8	00054870	2	COTTER PIN
9	12310066	8	WASHER
10	14895197	4	SLIDE BEARING BUSH
11	01171350	1	ROCKER
12	03008790	1	BACKING FILM
13	828062	7	CABLE TIE
14	361218	2	CABLE TIE
15	01170520	1	RETAINER
16	11038346	2	HEXAGON SCREW
17	12310058	2	WASHER
18	14898019	4	APPROACH DISK

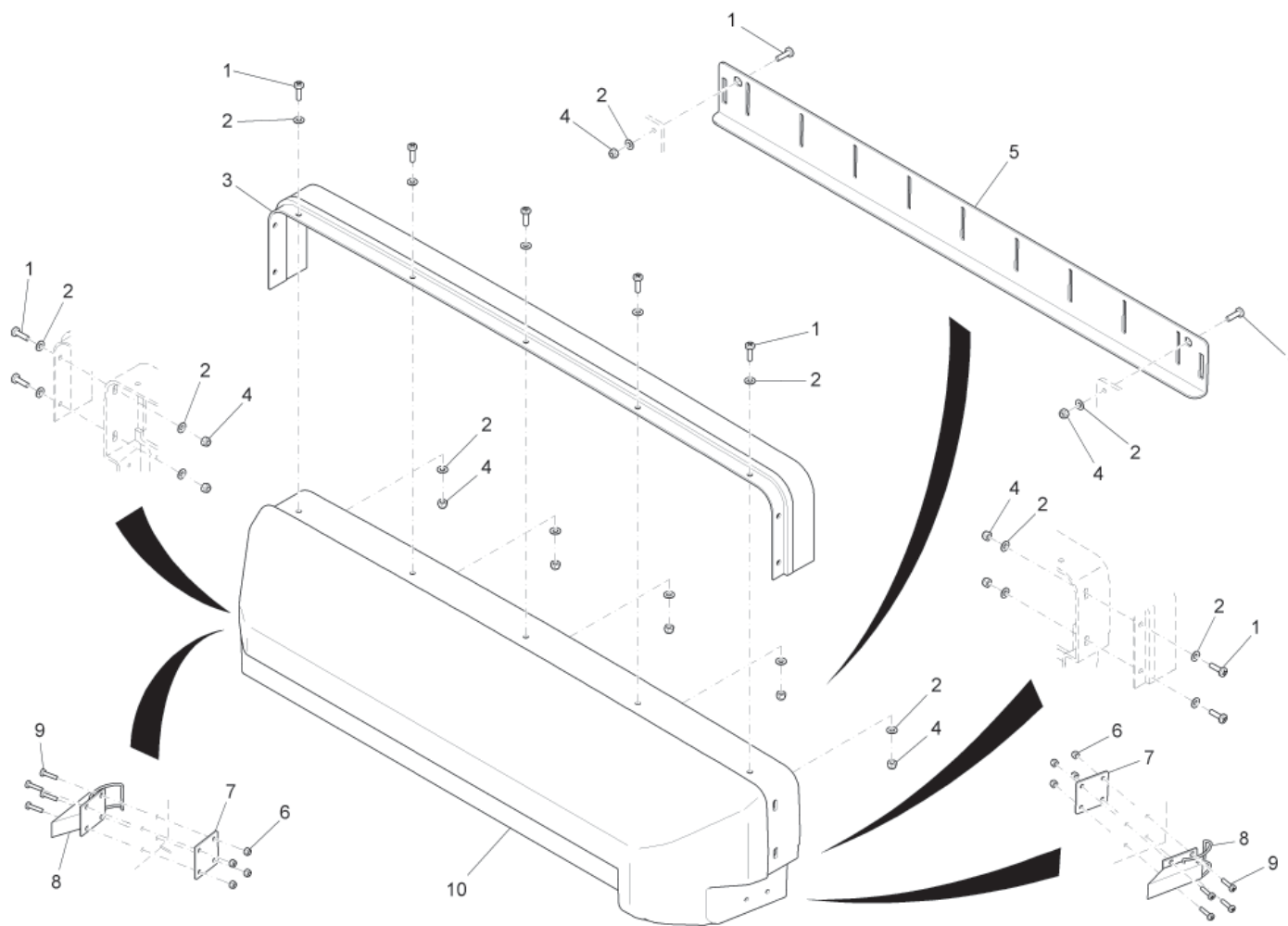
28" CYLINDRICAL BRUSH DECK ASSEMBLY I



28" CYLINDRICAL BRUSH DECK ASSEMBLY I BOM

Parts List			
ITEM	PART #	QTY	DESCRIPTION
1	11038924	3	HEXAGON SCREW
2	12332152	3	WASHER
3	90492851	3	SLIDE BLOCK
4	90492869	3	BUSHING
5	96136155	1	ROCKER
6	00102140	1	HEX NUT
7	00854210	1	WASHER
8	03014950	1	ROLL BRUSH HEAD 700
9	90441577	1	TENSION SPRING
10	90463746	2	CAP
11	90610775	1	ANGLE
12	03011040		DIRT CONTAINER
13	11038635	6	HEX BOLT
14	12310041	6	WASHER
15	01170540	1	GUIDE BAR
16	01170100	1	SPRING HOLDER

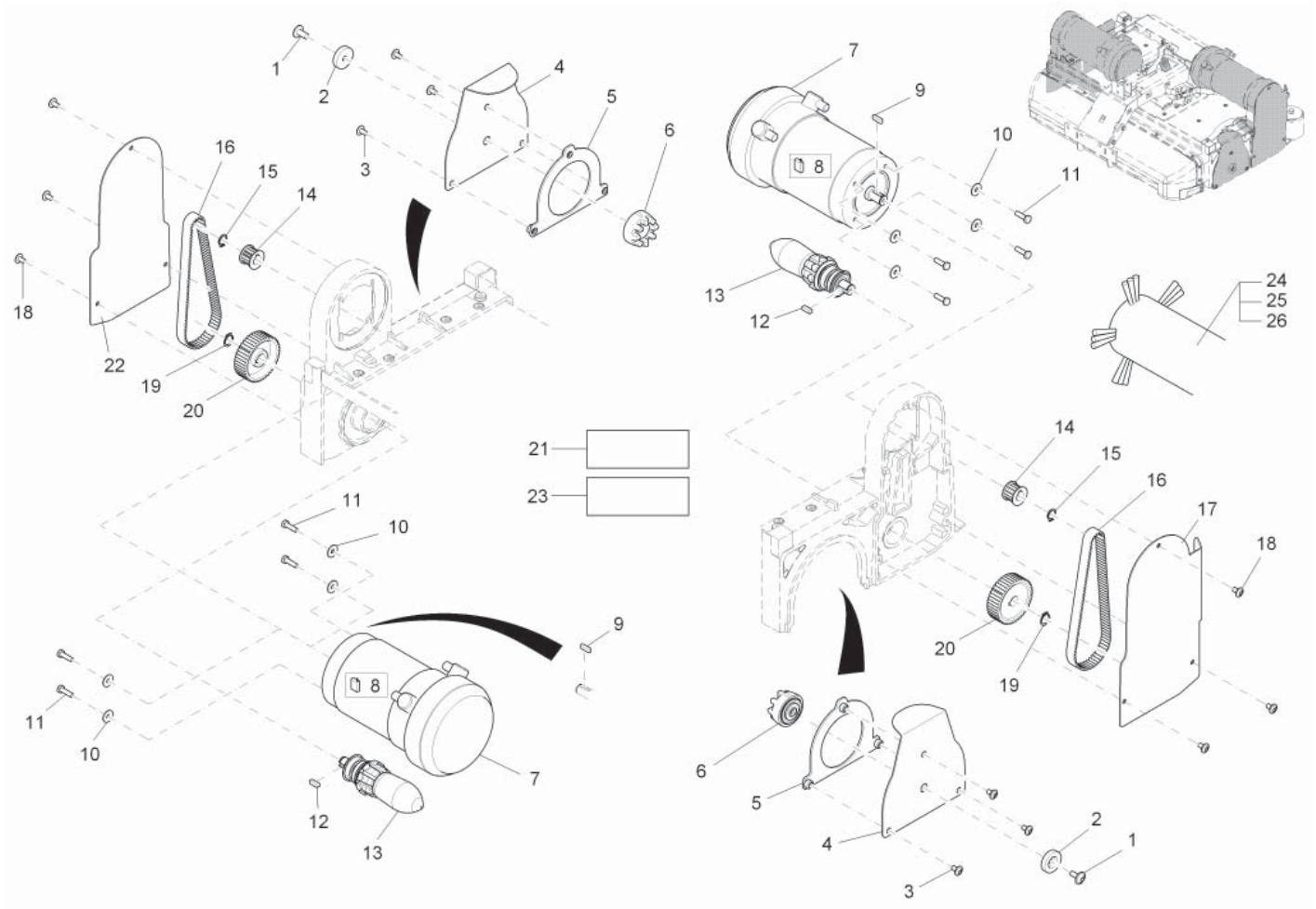
DIRT CONTAINER



DIRT CONTAINER BOM

Parts List			
ITEM	PART #	QTY	DESCRIPTION
1	01072260	11	FILLISTER-HEAD SCREW
2	12310272	20	WASHER
3	01072240	1	BROOM RAIL
4	12040234	11	HEX NUT
5	01072250	1	PANEL APRON
6	12040374	8	HEX NUT
7	90435884	2	PLATE
8	17383191	2	LOCK
9	11175452	8	FILLISTER-HEAD SCREW
10	01072210	1	DIRT HOPPER, CPL.

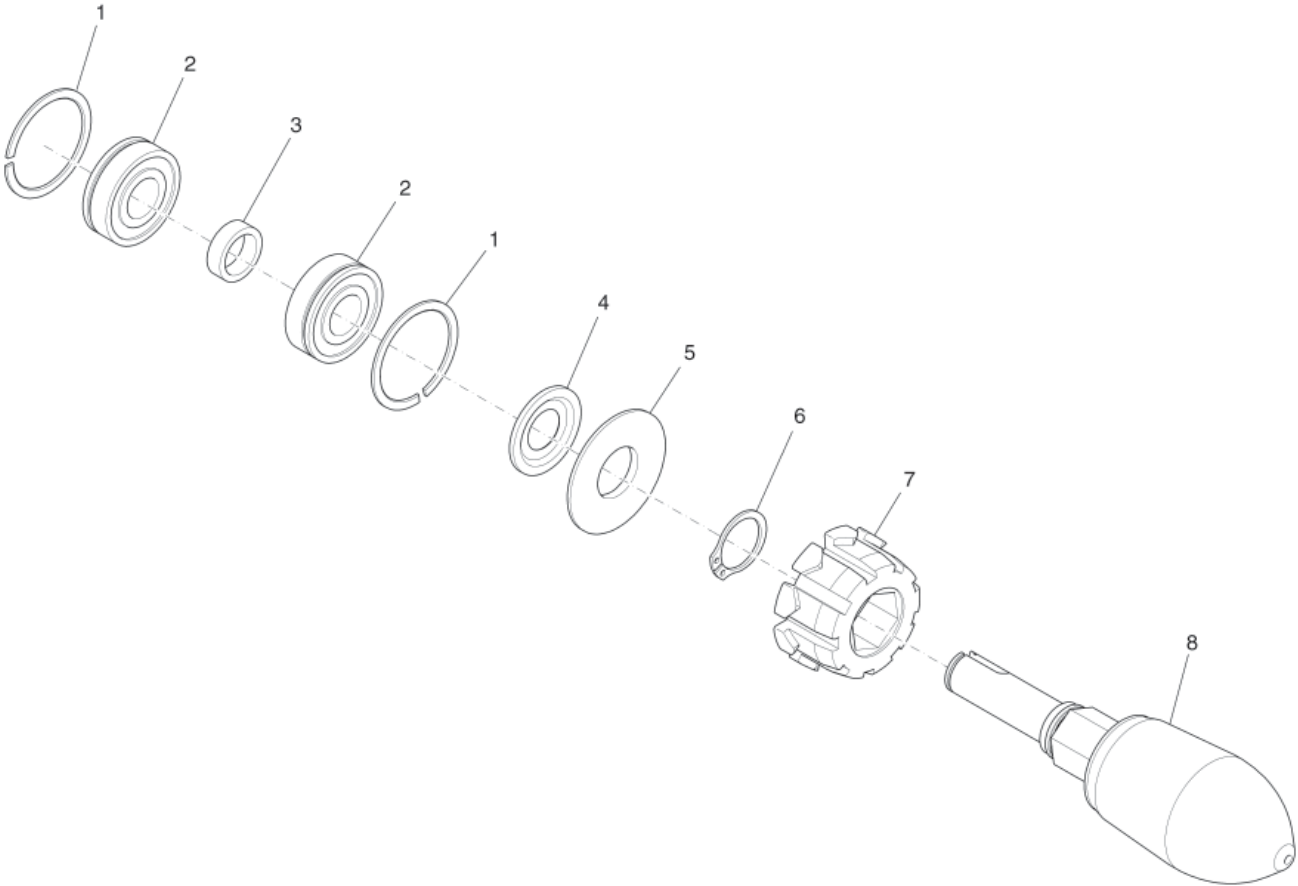
28" CYLINDRICAL BRUSH DECK ASSEMBLY II



28" CYLINDRICAL BRUSH DECK ASSEMBLY II BOM

Parts List			
ITEM	PART #	QTY	DESCRIPTION
1	11177187	2	LENS FLANGE SCREW
2	90464058	2	WASHER
3	11177179	6	LENS FLANGE SCREW
4	90454117	2	SIDE COVER
5	96098264	2	CENTERING BEND
6	96101985	2	BEARING
7	01072450	2	MOTOR
8	00553060	4	SET (4PC.) CARBON BRUSH
9	00022430	2	FEATHER KEY
10	12332011	8	WASHER
11	11038098	8	HEXAGON SCREW
12	13540549	2	FEATHER KEY
13	01072560	2	CARRIER, CPL.
14	90409210	2	TOOTHED BELT PULLEY
15	12610234	2	RETAINING RING
16	16423055	2	TOOTHED BELT
17	90610825	1	FW PRO 90610825 #2,0-1.4301 LG
18	01072520	6	LENS FLANGE SCREW
19	12610069	2	RETAINING RING
20	90409244	2	TOOTHED BELT PULLEY
21	03007980	1	WIRING HARNESS W13
22	01272860	1	SHEET METAL
23	03007990	1	WIRING HARNESS W14
24	7096	1	BRUSH, CYL 28" PA6-0.7 BLK SET OF 2)
25	7099	1	BRUSH, CYL 28" 500GR GRAY (SET OF 2)
26	7094	1	BRUSH, CYL 28" 180GR GRAY (SET OF 2)

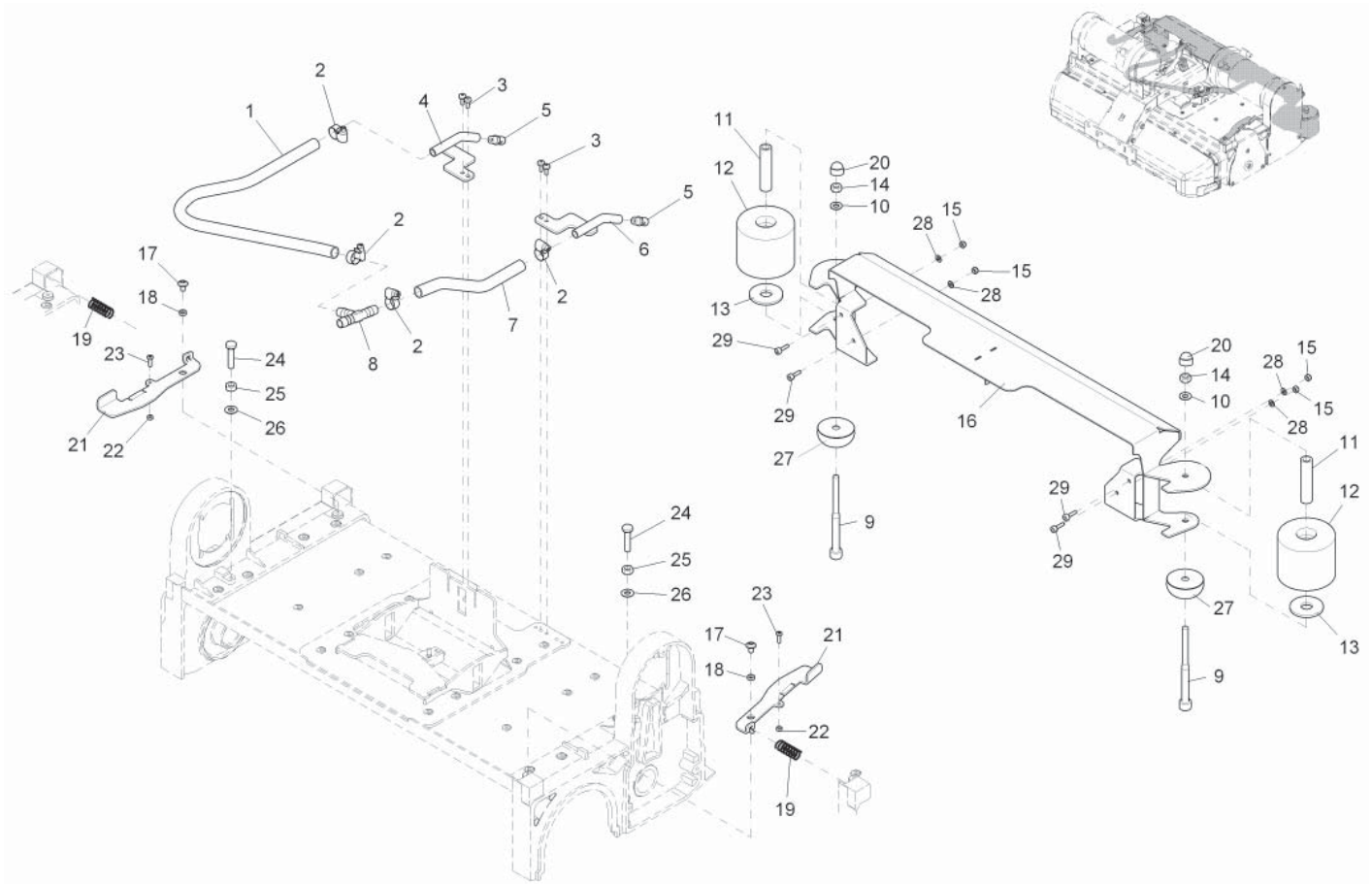
CARRIER ASSEMBLY



CARRIER ASSEMBLY BOM

Parts List			
ITEM	PART #	QTY	DESCRIPTION
1	01078820	2	CIRCLIP
2	14110853	2	GROOVED BALL BEARING
3	90409665	1	BUSHING
4	14678064	1	RING
5	01077550	1	BUSHING
6	12610093	1	RETAINING RING
7	90423666	1	BUSHING
8	90416777	1	RETAINER

28" CYLINDRICAL BRUSH DECK ASSEMBLY III



28" CYLINDRICAL BRUSH DECK ASSEMBLY III BOM

Parts List			
ITEM	PART #	QTY	DESCRIPTION
1	25842097	0.570	HOSE - SOLD BY THE METER
2	17533100	4	HOSE CLAMP
3	00959220	4	SCREW
4	96130125	1	PIPE L.H.
5	90429952	2	JET
6	01273130	1	PIPE R.H.
7	25842097	0.240	HOSE - SOLD BY THE METER
8	90310681	1	T-PIECE
9	11126505	2	SOCKET HEAD SCREW
10	12310041	4	WASHER
11	90519828	2	PIPE
12	90315334	2	ROLLER
13	00132610	2	WASHER
14	12040051	2	HEX NUT
15	12040283	4	HEX NUT
16	96134994	1	ANGLE
17	11177179	2	LENS FLANGE SCREW
18	90437450	2	BUSHING
19	90232372	2	CYL.COMPRESSION SPRING
20	15592033	2	LENS CAP
21	01272890	2	LEVER
22	12022430	2	HEX NUT
23	00552300	2	FILLISTER-HEAD SCREW
24	11038072	2	HEX BOLT
25	00135790	2	HEX NUT
26	12310033	2	WASHER
27	90533696	2	STOP
28	00902270	4	WASHER
29	01081260	4	SOCKET HEAD SCREW

“More Than Just Clean”

**Minuteman is a Full Line Manufacturer of Sweepers and Scrubbers,
for Industrial Facilities.**